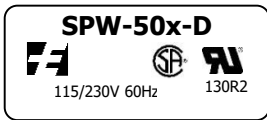
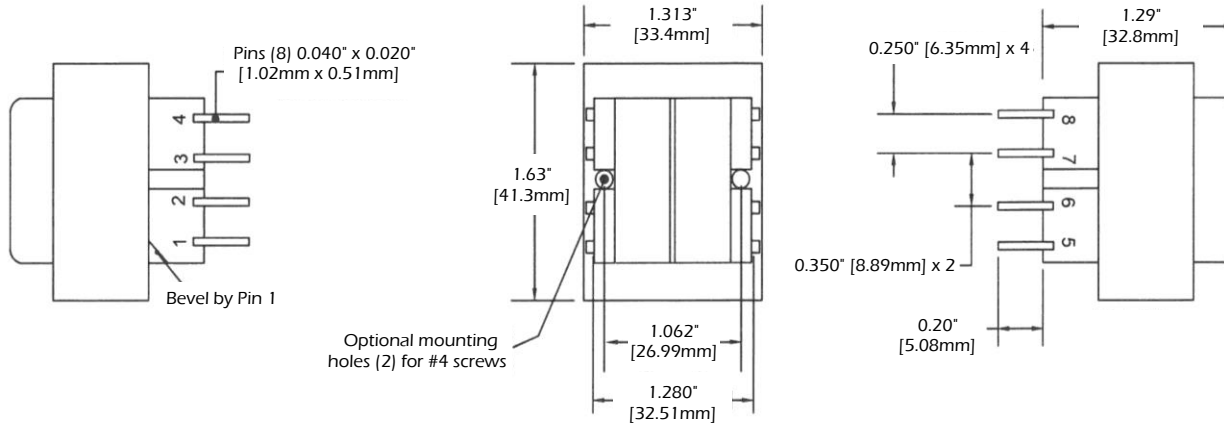


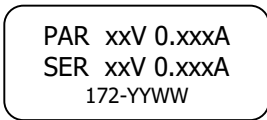
SPW-500-D Series Features:

- * Rating: 6VA
- * 115/230V 60Hz dual (series/parallel) inputs & outputs, (see schematic notes below).
- * Side-by-side input and outputs (no electrostatic shield required).
- * 100% tested for PRI-SEC hi-pot at 2500VAC, PRI-Core & SEC-Core at 1800VAC.
- * Coated to resist dust and moisture.
- * Same PCB layout as SPW-3500 Series (international-capable).



PRI Label

"x" is replaced by last digit of model number



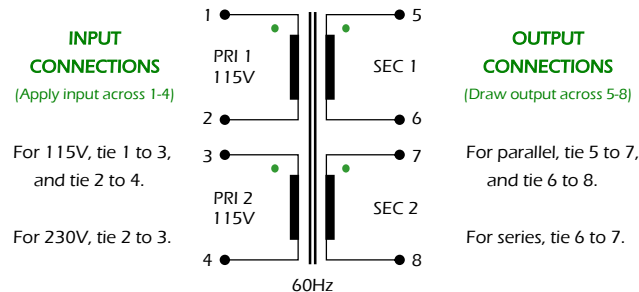
SEC Label

(*YYWW" replaced by current date code)

Dimensions are for reference only.

MODEL	Series Rating	Parallel Rating
SPW-500-D	10VCT @ 0.600A	5V @ 1.20A
SPW-501-D	12.6VCT @ 0.500A	6.3V @ 1.00A
SPW-502-D	16VCT @ 0.400A	8V @ 0.80A
SPW-503-D	20VCT @ 0.300A	10V @ 0.60A
SPW-504-D	24VCT @ 0.250A	12V @ 0.50A
SPW-505-D	28VCT @ 0.200A	14V @ 0.40A
SPW-506-D	36VCT @ 0.170A	18V @ 0.34A
SPW-507-D	48VCT @ 0.125A	24V @ 0.25A
SPW-508-D	56VCT @ 0.110A	28V @ 0.22A
SPW-509-D	120VCT @ 0.050A	60V @ 0.10A

PRI 1 and PRI 2 must ALWAYS be inter-connected, either in parallel or series.
SEC 1 and SEC 2 must ALWAYS be inter-connected, either in parallel or series.



SPW-500-D

CERTIFICATIONS & DECLARATIONS

- * **UL 5085-2** General Purpose recognized (E47299).
- * **CSA C22.2 #66** certified (063944).
- NOTE: Providing external circuit protection (ie. fusing) to comply with safety agency requirements in the application is the responsibility of the customer.*
- * **UL 1446** Recognized Class B (130°C) Insulation System (File E95662).
- * **RoHS** and **REACH** Compliant.
- * California **Prop 65** warning:

These products may contain chemicals known to the State of California to cause cancer, and birth defects or other reproductive harm.

REV	DATE	DESCRIPTION	BY
1	15-Aug-2024	"130R2" was "130R1".	SDE
0	31-May-2021	Acquired from Prem Magnetics. Released for Production.	SDE

**115/230V 60Hz
6VA**



A PowerVolt Group Company
Bellevue, Iowa 52031 USA
ISO 9001 Registered since 1998