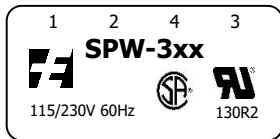
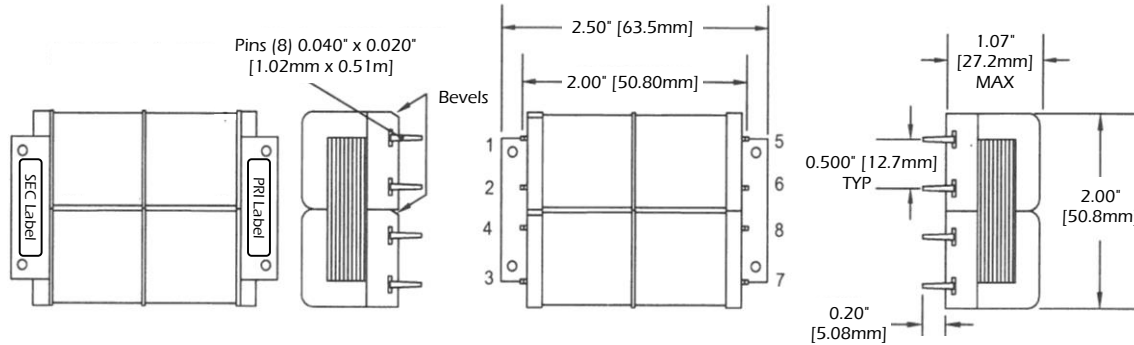


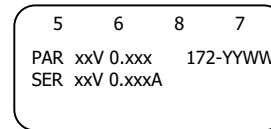
# SPW-300

## SPW-300 Series Features:

- \* Rating: 12VA
- \* 115/230V 60Hz input, dual (series/parallel) outputs, (see schematic notes below).
- \* Side-by-side input and outputs (no electrostatic shield required).
- \* 100% tested for PRI-SEC, PRI-Core, SEC-Core hi-pot at 1500VAC.
- \* Coated to resist dust and moisture.
- \* Low profile.
- \* Same PCB layout as SPW-2300 Series (International-capable).



"xx" is replaced by last 2 digits of model number

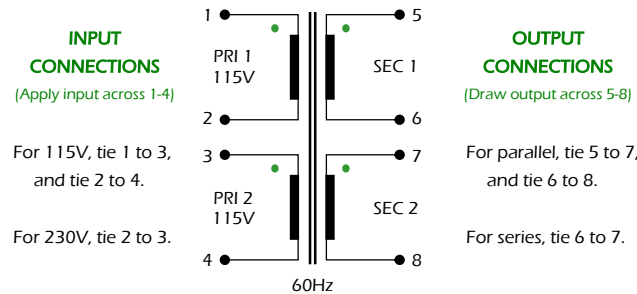


(\*YYWW" replaced by current date code)

Dimensions are for reference only.

MODEL	Series Rating	Parallel Rating
SPW-300	10VCT @ 1.20A	5V @ 2.40A
SPW-301	12.6VCT @ 0.90A	6.3V @ 1.80A
SPW-302	16VCT @ 0.70A	8V @ 1.40A
SPW-303	20VCT @ 0.60A	10V @ 1.20A
SPW-304	24VCT @ 0.50A	12V @ 1.00A
SPW-305	34VCT @ 0.34A	17V @ 0.68A
SPW-306	40VCT @ 0.30A	20V @ 0.60A
SPW-307	56VCT @ 0.20A	28V @ 0.40A
SPW-308	88VCT @ 0.13A	44V @ 0.26A
SPW-309	120VCT @ 0.10A	60V @ 0.20A
SPW-310	230VCT @ 0.05A	115V @ 0.10A
SPW-311	30VAC @ 0.40A	15V @ 0.80A

PRI 1 and PRI 2 must ALWAYS be inter-connected, either in parallel or series.  
SEC 1 and SEC 2 must ALWAYS be inter-connected, either in parallel or series.



## CERTIFICATIONS & DECLARATIONS

- \* **UL 5085-2** General Purpose recognized (E47299).
- \* **CSA C22.2 #66** certified (063944).
- NOTE: Providing external circuit protection (ie. fusing) to comply with safety agency requirements in the application is the responsibility of the customer.*
- \* **UL 1446** Recognized Class B (130°C) Insulation System (File E95662).
- \* **RoHS** and **REACH** Compliant.
- \* California **Prop 65** warning:

*These products may contain chemicals known to the State of California to cause cancer, and birth defects or other reproductive harm.*

REV	DATE	DESCRIPTION	BY
1	15-Aug-2024	'130R2' was '130R1'.	SDE
0	31-May-2021	Acquired from Prem Magnetics. Released for Production.	SDE

115/230V 60Hz  
12VA



A PowerVolt Group Company  
Bellevue, Iowa 52031 USA  
ISO 9001 Registered since 1998