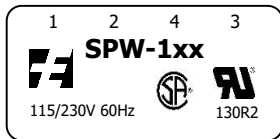
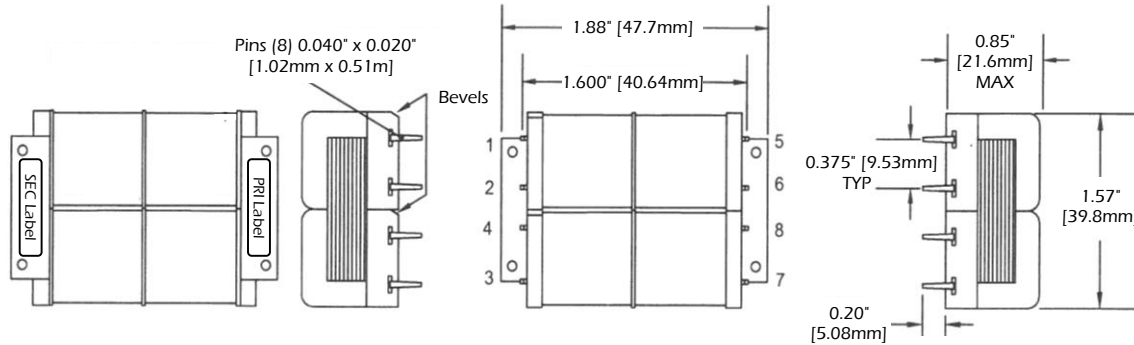


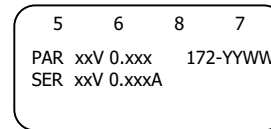
# SPW-100

## SPW-100 Series Features:

- \* Rating: 6VA
- \* 115/230V 60Hz input, dual (series/parallel) outputs, (see schematic notes below).
- \* Side-by-side input and outputs (no electrostatic shield required).
- \* 100% tested for PRI-SEC, PRI-Core, SEC-Core hi-pot at 1500VAC,
- \* Coated to resist dust and moisture.
- \* Low profile.
- \* Same PCB layout as SPW-2100 & SPW-3100 Series (International-capable).



"xx" is replaced by last 2 digits of model number

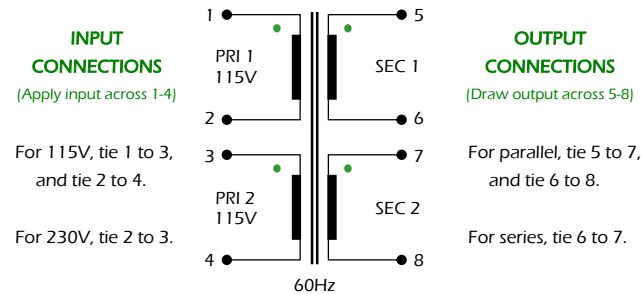


(\*YYWW" replaced by current date code)

Dimensions are for reference only.

MODEL	Series Rating	Parallel Rating
SPW-100	10VCT @ 0.600A	5V @ 1.200A
SPW-101	12.6VCT @ 0.450A	6.3V @ 0.900A
SPW-102	16VCT @ 0.350A	8V @ 0.700A
SPW-103	20VCT @ 0.300A	10V @ 0.600A
SPW-104	24VCT @ 0.250A	12V @ 0.500A
SPW-105	34VCT @ 0.170A	17V @ 0.340A
SPW-106	40VCT @ 0.150A	20V @ 0.300A
SPW-107	56VCT @ 0.100A	28V @ 0.200A
SPW-108	88VCT @ 0.065A	44V @ 0.130A
SPW-109	120VCT @ 0.050A	60V @ 0.100A
SPW-110	230VCT @ 0.025A	115V @ 0.050A
SPW-111	30VAC @ 0.200A	15V @ 0.400A

PRI 1 and PRI 2 must ALWAYS be inter-connected, either in parallel or series.  
SEC 1 and SEC 2 must ALWAYS be inter-connected, either in parallel or series.



## CERTIFICATIONS & DECLARATIONS

- \* **UL 5085-2** General Purpose recognized (E47299).
- \* **CSA C22.2 #66** certified (063944).
- NOTE: Providing external circuit protection (ie. fusing) to comply with safety agency requirements in the application is the responsibility of the customer.*
- \* **UL 1446** Recognized Class B (130°C) Insulation System (File E95662).
- \* **RoHS** and **REACH** Compliant.
- \* California **Prop 65** warning:

*These products may contain chemicals known to the State of California to cause cancer, and birth defects or other reproductive harm.*

REV	DATE	DESCRIPTION	BY
1	15-Aug-2024	'130R2' was '130R1'.	SDE
0	31-May-2021	Acquired from Prem Magnetics. Released for Production.	SDE

115/230V 60Hz  
6VA



A PowerVolt Group Company  
Bellevue, Iowa 52031 USA  
ISO 9001 Registered since 1998