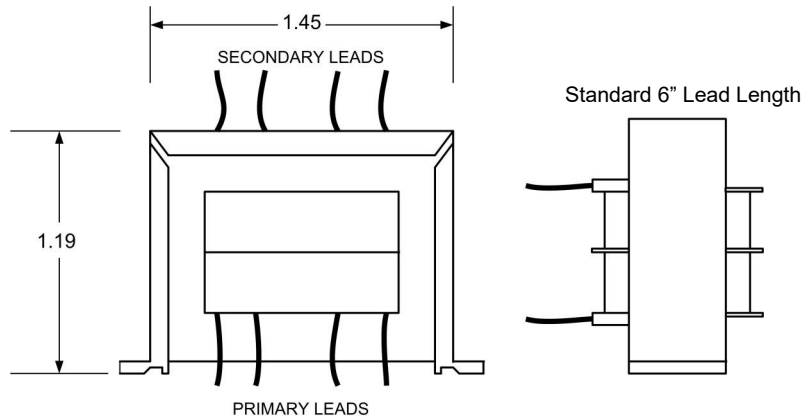
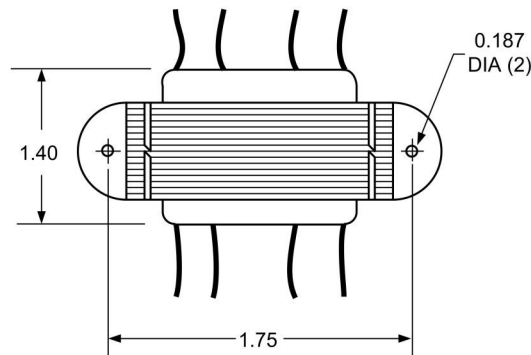


COMMANDER CLASS - CHASSIS MOUNT WITH LEAD WIRES POWER TRANSFORMER



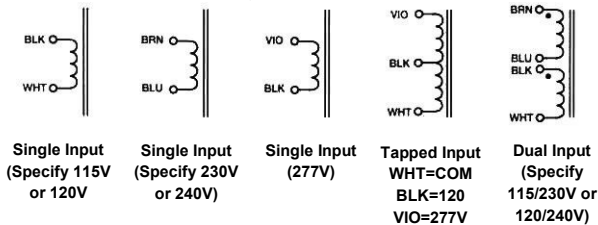
1. Electrical Specifications
 - A. Maximum Power: 2.4VA
 - B. Input Voltage and Frequency: 115V, 115/230V or 230V 50/60Hz
 - C. Voltage Regulation: 18% TYP @ full load to no load
 - D. Temperature Rise: 20°C TYP
 - E. Insulation Resistance: < 1 MEG ohm
 - F. Hi-Pot: 2500Vrms 1 minute
2. Marking: Ensign Corp, part number (see table), date code
3. Agency Approval:
 - UL/cUL 5085-2 Recognized (File E47299)
 - UL 1446 Recognized Insulation System (File E95662)
 - UL/cUL 5085-3 Class 2 Recognized (File E43609)



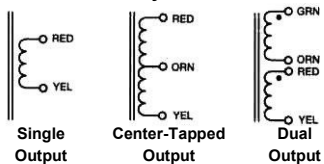
Class 2 CE

| Part Number | | | |
|-------------|-------------|-------------|-----------------|
| 115V | 115/230V | 230V | Secondary |
| L002-1-710X | L002-2-710X | L002-3-710X | 10VCT @ 250mA |
| L002-1-712X | L002-2-712X | L002-3-712X | 12.6VCT @ 200mA |
| L002-1-716X | L002-2-716X | L002-3-716X | 16VCT @ 150mA |
| L002-1-720X | L002-2-720X | L002-3-720X | 20VCT @ 120mA |
| L002-1-724X | L002-2-724X | L002-3-724X | 24VCT @ 100mA |

Primary Schematics



Secondary Schematics



| | | | | |
|--|--|--|---|--------------------|
| <p>THE FLAGSHIP OF CUSTOM MAGNETICS SINCE 1939</p> | <p>POWER TRANSFORMER COMMANDER CLASS</p> | | <p>L002-1-XXXX L002-2-XXXX L002-3-XXXX</p> | |
| | <p>CONTENTS OF THIS DRAWING ARE SUBJECT TO CHANGE WITHOUT PRIOR NOTICE</p> | | <p>Ensign Corporation 201 ENSIGN RD., BELLEVUE, IA 52031</p> | <p>Dim: Inches</p> |

PROPRIETARY NOTICE: THIS DRAWING PRINT OR DOCUMENT AND SUBJECT MATTER DISCLOSED HEREIN ARE PROPRIETARY ITEMS TO WHICH ENSIGN RETAINS THE EXCLUSIVE RIGHT OF DISSEMINATION, MANUFACTURE AND SALE. THIS DRAWING, PRINT OR DOCUMENT IS SUBMITTED IN CONFIDENCE FOR CONSIDERATION BY THE RECIPIENT ALONE UNLESS PERMISSION FOR FURTHER DISCLOSURE IS EXPRESSLY GRANTED IN WRITING