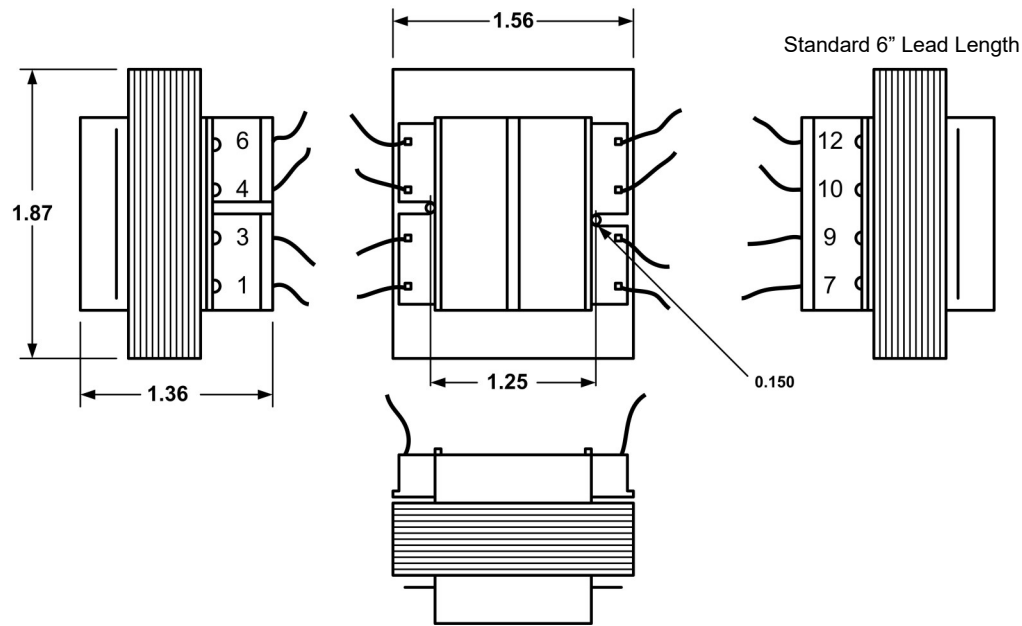
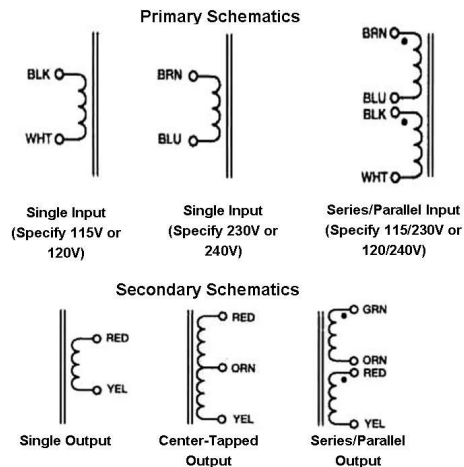


ADMIRAL CLASS - INTERNATIONAL LEAD WIRES, POWER TRANSFORMER



1. Electrical Specifications
 - A. Maximum Power: 10VA
 - B. Input Voltage and Frequency: 115V, 115/230V, 230V 50/60Hz
 - F. Hi-Pot: 4000Vrms 1 minute
2. Marking: Ensign Corp, part number (see table), date code
3. Agency Approval:
 - UL/cUL 5085-2 Recognized (File 47299)
 - UL 60950 Recognized (File E144070)
 - VDE 0805 Licensed (File 19019-3336-9002/A1C)
 - UL 1446 Recognized Insulation System (File 95662)



Part Number			Series Connection	Parallel Connection
115V	115/230V	230V		
IL010-1-010X	IL010-2-010X	IL010-3-010X	10VCT @ 1.0A	5V @ 2.0A
IL010-1-012X	IL010-2-012X	IL010-3-012X	12.6VCT @ 0.80A	6.3V @ 1.60A
IL010-1-016X	IL010-2-016X	IL010-3-016X	16VCT @ 0.62A	8V @ 1.25A
IL010-1-020X	IL010-2-020X	IL010-3-020X	20VCT @ 0.50A	10V @ 1.0A
IL010-1-024X	IL010-2-024X	IL010-3-024X	24VCT @ 0.42A	12V @ 0.84A
IL010-1-028X	IL010-2-028X	IL010-3-028X	28VCT @ 0.36A	14V @ 0.72A
IL010-1-036X	IL010-2-036X	IL010-3-036X	36VCT @ 0.28A	18V @ 0.56A

	POWER TRANSFORMER ADMIRAL CLASS		IL010-1-XXXX IL010-2-XXXX IL010-3-XXXX	
	CONTENTS OF THIS DRAWING ARE SUBJECT TO CHANGE WITHOUT PRIOR NOTICE		Ensign Corporation 201 ENSIGN RD., BELLEVUE, IA 52031	Dim: Inches
PROPRIETARY NOTICE: THIS DRAWING PRINT OR DOCUMENT AND SUBJECT MATTER DISCLOSED HEREIN ARE PROPRIETARY ITEMS TO WHICH ENSIGN RETAINS THE EXCLUSIVE RIGHT OF DISSEMINATION, MANUFACTURE AND SALE. THIS DRAWING, PRINT OR DOCUMENT IS SUBMITTED IN CONFIDENCE FOR CONSIDERATION BY THE RECIPIENT ALONE UNLESS PERMISSION FOR FURTHER DISCLOSURE IS EXPRESSLY GRANTED IN WRITING				