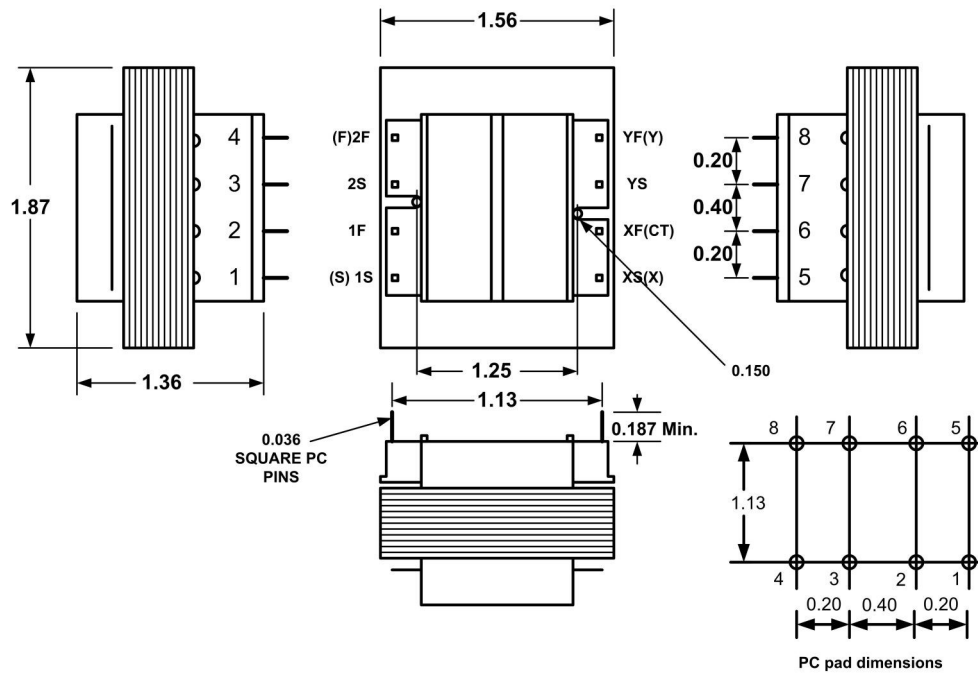


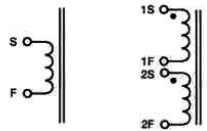
ADMIRAL CLASS - INTERNATIONAL PRINTED CIRCUIT MOUNT, POWER TRANSFORMER



- Electrical Specifications
 - Maximum Power: 10VA
 - Input Voltage and Frequency: 115V, 115/230V, 230V 50/60Hz
 - Voltage Regulation: 18% TYP @ full load to no load
 - Temperature Rise: 35°C TYP
 - Insulation Resistance: >1MEG ohm
 - Hi-Pot: 4000Vrms 1 minute
- Marking: Ensign Corp, part number (see table), date code
- Agency Approval:
 - UL/cUL 5085-2 Recognized (File 47299)
 - UL 60950 Recognized Construction (File E144070)
 - VDE 0805 Licensed (File 19019-3336-9002/A1C)
 - UL 1446 Recognized Insulation System (File 95662)



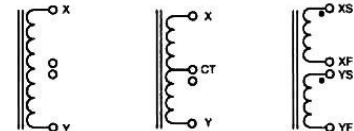
Primary Schematics



Single Input
(Specify 115V,
120V, 230V or
240V)

Dual Input
(Specify
115/230V or
120/240V)

Secondary Schematics



Single
Output

Center-Tapped
Output

Dual
Output

Part Number			Series Connection	Parallel Connection
115V	115/230V	230V		
IP010-1-010X	IP010-2-010X	IP010-3-010X	10VCT @ 1.0A	5V @ 2.0A
IP010-1-012X	IP010-2-012X	IP010-3-012X	12.6VCT @ 0.80A	6.3V @ 1.60A
IP010-1-016X	IP010-2-016X	IP010-3-016X	16VCT @ 0.62A	8V @ 1.25A
IP010-1-020X	IP010-2-020X	IP010-3-020X	20VCT @ 0.50A	10V @ 1.0A
IP010-1-024X	IP010-2-024X	IP010-3-024X	24VCT @ 0.42A	12V @ 0.84A
IP010-1-028X	IP010-2-028X	IP010-3-028X	28VCT @ 0.36A	14V @ 0.72A
IP010-1-036X	IP010-2-036X	IP010-3-036X	36VCT @ 0.28A	18V @ 0.56A



**POWER TRANSFORMER
ADMIRAL CLASS**

**IP010-1-XXXX
IP010-2-XXXX
IP010-3-XXXX**

CONTENTS OF THIS DRAWING ARE SUBJECT TO
CHANGE WITHOUT PRIOR NOTICE

Ensign Corporation
201 ENSIGN RD., BELLEVUE, IA 52031

Dim: Inches

Sheet 1 of 1

PROPRIETARY NOTICE: THIS DRAWING PRINT OR DOCUMENT AND SUBJECT MATTER DISCLOSED HEREIN ARE PROPRIETARY ITEMS TO WHICH ENSIGN RETAINS THE EXCLUSIVE RIGHT OF DISSEMINATION, MANUFACTURE AND SALE. THIS DRAWING, PRINT OR DOCUMENT IS SUBMITTED IN CONFIDENCE FOR CONSIDERATION BY THE RECIPIENT ALONE UNLESS PERMISSION FOR FURTHER DISCLOSURE IS EXPRESSLY GRANTED IN WRITING