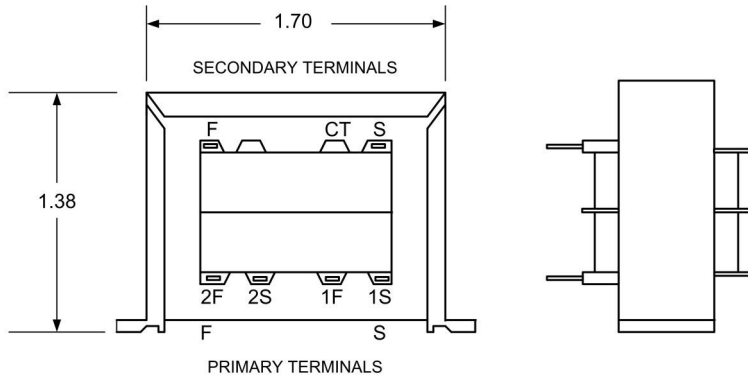
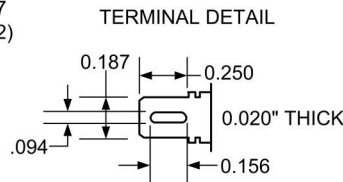
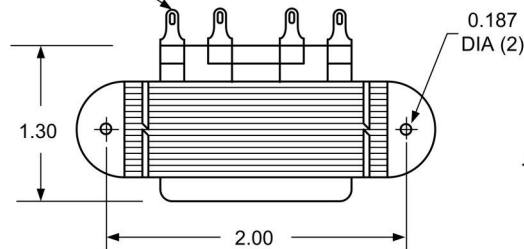


COMMODORE CLASS - CHASSIS MOUNT WITH QUICK-CONNECT TERMINALS POWER TRANSFORMER



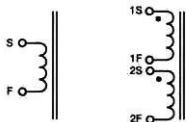
0.187" QUICK-CONNECT OR SOLDER LUG TERMINALS



1. Electrical Specifications
 - A. Maximum Power: 6VA
 - B. Input Voltage and Frequency: 115V, 115/230V or 230V 50/60Hz
 - C. Voltage Regulation: 18% TYP @ full load to no load
 - D. Temperature Rise: 25°C TYP
 - E. Insulation Resistance: < 1 MEG ohm
 - F. Hi-Pot: 2500Vrms 1 minute
2. Marking: Ensign Corp, part number (see table), date code, country, terminal number
3. Agency Approval:
 - UL/cUL 5085-2 Recognized (File 47299)
 - UL 1446 Recognized Insulation System (File 95662)



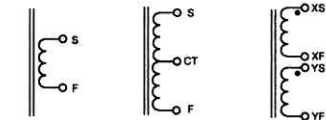
Primary Schematics



Single Input
(Specify 115V, 120V, 230V or 240V)

Dual Input
(Specify 115/230V or 120/240V)

Secondary Schematics



Single Output

Center-Tapped Output

Dual Output

Part Number			
115V	115/230V	230V	Secondary
T006-1-510X	T006-2-510X	T006-3-510X	10VCT @ 600mA
T006-1-512X	T006-2-512X	T006-3-512X	12.6VCT @ 500mA
T006-1-516X	T006-2-516X	T006-3-516X	16VCT @ 400mA
T006-1-520X	T006-2-520X	T006-3-520X	20VCT @ 300mA
T006-1-524X	T006-2-524X	T006-3-524X	24VCT @ 250mA
T006-1-528X	T006-2-528X	T006-3-528X	28VCT @ 200mA
T006-1-536X	T006-2-536X	T006-3-536X	36VCT @ 170mA
T006-1-548X	T006-2-548X	T006-3-548X	48VCT @ 125mA
T006-1-556X	T006-2-556X	T006-3-556X	56VCT @ 110mA
T006-1-620X	T006-2-620X	T006-3-620X	120VCT @ 50mA



POWER TRANSFORMER COMMODORE CLASS

T006-1-XXXX
T006-2-XXXX
T006-3-XXXX

CONTENTS OF THIS DRAWING ARE SUBJECT TO CHANGE WITHOUT PRIOR NOTICE

Ensign Corporation
201 ENSIGN RD., BELLEVUE, IA 52031

Dim: Inches

Sheet 1 of 1

PROPRIETARY NOTICE: THIS DRAWING PRINT OR DOCUMENT AND SUBJECT MATTER DISCLOSED HEREIN ARE PROPRIETARY ITEMS TO WHICH ENSIGN RETAINS THE EXCLUSIVE RIGHT OF DISSEMINATION, MANUFACTURE AND SALE. THIS DRAWING, PRINT OR DOCUMENT IS SUBMITTED IN CONFIDENCE FOR CONSIDERATION BY THE RECIPIENT ALONE UNLESS PERMISSION FOR FURTHER DISCLOSURE IS EXPRESSLY GRANTED IN WRITING