

*The flagship of custom magnetics
since 1939.*



- **Energy Efficient**
- **Flame Retardant UL 94V0**
- **Standard & Custom**
- **3 Day Shipment**
- **ISO 9001:2015 Registered**



Ener-G-Star Fleet

Class	Product	Safety Approvals	Page Number
Captain	 Printed Circuit Mount	 	6-8
		 Class 2 	9
Navigator	 Printed Circuit Mount Low Profile	 	10-12
Commodore	 Chassis Mount with Terminals	 	14-16
		 Class 2 	17
Commander	 Chassis Mount with Lead Wires	 	18-21
		 Class 2 	22
Admiral	IP  Printed Circuit	  	24-26
	IT  Quick-Connect Terminals	  	28-30
	IL  Lead Wires	  	31-35
Lighting	LT  Low Voltage (12V)	 	37

Take advantage of these pre-designed models, or let us customize to your requirements. That's our specialty.

ENSIGN

As the Flagship of Custom magnetics, Ensign has come a long way since 1939. We have forged a reputation as a world-class manufacturer of

electrical transformers, inductors and adapters for an ever-broadening array of industrial and commercial applications. Today, Ensign is a customer driven, ISO 9001-2015 registered organization that offers OEMs low-volume and high-volume production from domestic and off-shore facilities. Both facilities answer to exactly the same quality standards, meet all applicable safety agency requirements, and share a common commitment to continuous improvement.

Ensign's vast experience ranges from powering control systems on U.S. naval destroyers to recharging hand-held flashlights. Whether your application is incredibly complex or surprisingly simple, count on Ensign to provide quality products to your precise specifications at the most economical cost possible. Time and time again our engineers have zeroed in on cost-effective solutions, and proven that the best ideas don't come off the shelf –they come from imaginative thinking



Custom Engineering

Custom engineering: at the helm of the Ensign success story. In some cases, designing for your specific applications begins with a search of our extensive selection of pre-engineered transformers and adapters. In other instances, it calls for incorporating the latest breakthroughs in magnetic technology, whether laminated cores, ferrites, powdered metals, or

tape wound cores. Custom or pre-engineered, the idea is to make sure that each and every Ensign product is performance-matched to your exact specifications.

Rest assured, nothing is left to chance. Custom designs are first sent to the prototype laboratory and are thoroughly evaluated and tested for performance, and then submitted for your approval. We are not satisfied until you are satisfied. Through concurrent engineering, all phases of the process -- design, production and quality assurance -- come

together to ensure the highest standards of product integrity, extended service life and cost economy. The goal is nothing less than routinely exceeding customer expectations.



Safety Approvals

Ensign Engineers can design to meet domestic and international safety agency standards. Further, built into the agency approvals of our extensive fleet of pre-engineered transformers and adapters is an impressive list of customizing options. No need to “make do with a me too”.



Manufacturing

For cellular manufacturing with vision, come to Bellevue, Iowa. Ensign's up-to-date CNC production and inspection systems have dramatically raised the bar for product consistency, while substantially enhancing our ability to “flex” with customers' ever-changing production schedules. While new technology clearly defines Ensign's stance on process improvement, we also recognize that some things are simply too good to change. That's why we're one of the few manufacturers that continues to vacuum impregnate transformers to assure years of reliable operation and added protection against environmental conditions.

Ensign's offshore production capabilities provide manufacturers with a quality solution for minimizing costs for higher volumes. Listed as an approved manufacturer by UL, CSA, TUV and VDE, the production facility on mainland China operates under the same quality process umbrella as the Bellevue, Iowa plant. Though the Iowa and China operations are separated by thousands of miles, they couldn't be closer when it comes to achieving consistent quality performance.



Contact

Sales:
Phone: (630) 628-9999
Fax: (630) 628-9922

Technical Support
Phone: (563) 872-3900
Fax: (563) 872-4575

- Custom Design or Pre-Engineered
- Flame Retardant Materials
- On Time Delivery, JIT, KANBAN
- ISO 9001:2015 Registered



Ease of Doing Business with Ensign

Quotations & Pricing

Ensign honors all written quotations for a full 30 days from the date of the quotation.
Prices are FOB Bellevue, Iowa unless otherwise indicated.
Federal, state and/or local taxes are not included on our quotations, and are added where applicable.

Discounts

Ensign offers liberal discounts for quantity purchases.
Contact Ensign or your local sales representative/distributor for details.

Prototypes

Pre-engineered samples provided at no charge if the invoiced total would be below \$10.00.
Custom design approval samples provided at a modest lot charge.
We request the customer to take responsibility for the costs of shipping prototypes.

How to Order

Easy. Call us, email us, fax us directly, or contact your local sales representative/distributor.
We also work with customer MRP, JIT forecast and online supplier e-KanBan and portal systems.
Every order is reviewed and promptly acknowledged.

Shipping & Delivery

Ensign is committed to delivering every order on time.
Stock items are shipped within 3 days. Contact us for current lead time of other items.
We "flex" when your production schedule changes.
We ship via surface freight, pre-pay & add, unless otherwise instructed.
Smaller shipments via UPS, FedEx, DHL or similar courier
Larger shipments via insured motor
For faster freight service, contact us to make arrangements

Terms

Payments are to be remitted in U.S. dollars.
Net 30 days, subject to credit approval.
Credit card orders accepted, subject to prior approval.
Pre-engineered items ordered in error are subject to a 25% re-stocking charge.
Orders for custom and customized pre-engineered items are not returnable for credit.

Warranty

Ensign warrants its products against defective materials and/or workmanship for a period of two (2) years from the date of shipment to the original purchaser.

Products that have been misused, improperly installed, or subjected to conditions beyond specified ratings are not included.

Ensign's obligation under this warranty is limited to servicing, adjusting or replacing product returned to the factory for that purpose, and does not include penalties, cost of down time, etc.

We reserve the right to change or improve our products without notice, and without obligation to incorporate such changes or improvements on previously manufactured products.



Corporate Mission/Vision and Guiding Values

Mission:

To be the highest quality and most cost effective supplier to our customers

Achieved through:

- Technical and Innovative Solutions**
- World Class Manufacturing**
- Customer Focus**
 - Respectful Communication**
 - Ease of doing Business**

Guided by:

- Excellence in Quality**
 - Compliance to Requirements**
 - Continuous Improvement**
 - Personal Pride in our Work**
- Highest Degree of Ethics**
 - Passion for our Partners' Mutual Success**
 - Willing to take on Big Challenges and deliver Results**
 - Social, Environmental Responsibility**

© Copyright Ensign Corp. 2009

Captain Class

- Flame Retardant, UL 94V0 Rating
- High Efficiency
- 1.1 VA to 36 VA Power Rating
- Single or Dual Primary, 115V, 115/230V or 230V (Optional 120V, 120/240V or 240V)
- 50/60Hz (Economy 60Hz-only Models Available)
- Dual Secondary (Optional Single or Center-tapped)
- Any Secondary Voltage from 5V to 120V in 1V Increments
- Insulation Material 130°C Standard (Optional 200°C)
- Optional Internal Current or Thermal Protectors
- High Isolation, 2500V, 100% Tested
- Low Capacitive Coupling, no Electrostatic Shield Needed

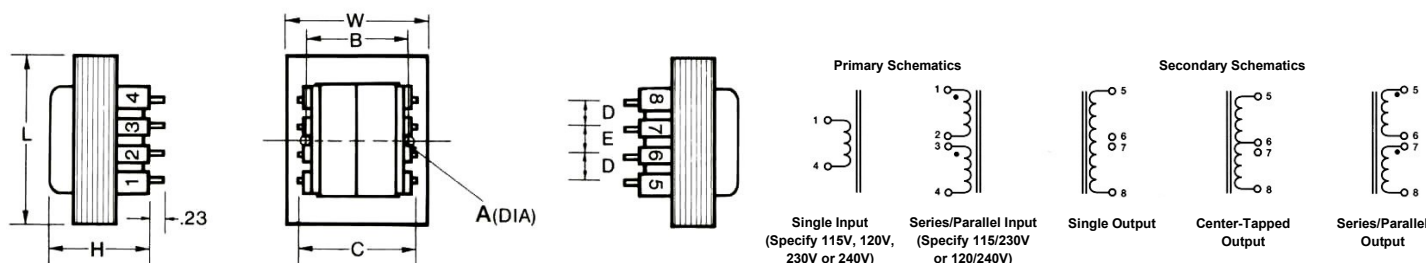
Flame Retardant Materials



Agency Approvals:



- UL/cUL 5085-2 Recognized (File E47299)
- UL 1446 Recognized Insulation System (File E95662)
- UL/cUL 5085-3 Class 2 Recognized (File E43609), Only P001 (up to 20V) & P002 (up to 24V)



VA Rating		Secondary Voltage	Dimensions (Inches)								
			L	W	H	A	B	C	D	E	Pins
P001	1.1VA	Parallel from 5V to 60V	1.38	1.13	0.93	-	-	1.22	0.25	0.25	0.041 x 0.020
P002	2.4VA		1.38	1.13	1.17	-	-	1.22	0.25	0.25	0.041 x 0.020
P006	6VA		1.63	1.31	1.29	0.125	1.06	1.28	0.25	0.35	0.041 x 0.020
P012	12VA	Series, single, or center-tapped from 10V to 120V	1.88	1.56	1.41	0.150	1.25	1.40	0.30	0.40	0.041 x 0.020
P020	20VA		2.25	1.88	1.41	0.218*	1.66	1.59	0.30	0.40	0.041 x 0.020
P036	36VA		2.63	2.19	1.56	0.218*	1.94	1.84	0.40	0.40	0.041 x 0.020

* = Slots

Take advantage of these pre-designed models, or let us customize to your requirements. That's our specialty.



Partial Selection Guide (Standard Stock)

Part Number					Part Number				
115V Primary	115/230V Primary	230V Primary	Series Secondary	Parallel Secondary	115V Primary	115/230V Primary	230V Primary	Series Secondary	Parallel Secondary
P001-1-010*	P001-2-010*	P001-3-010*	10VCT @ 0.11A	5V @ 0.22A	P001-1-028	P001-2-028	P001-3-028	28VCT @ 0.04A	14V @ 0.08A
P002-1-010*	P002-2-010*	P002-3-010*	10VCT @ 0.25A	5V @ 0.5A	P002-1-028	P002-2-028	P002-3-028	28VCT @ 0.085A	14V @ 0.17A
P006-1-010	P006-2-010	P006-3-010	10VCT @ 0.6A	5V @ 1.2A	P006-1-028	P006-2-028	P006-3-028	28VCT @ 0.2A	14V @ 0.4A
P012-1-010	P012-2-010	P012-3-010	10VCT @ 1.2A	5V @ 2.4A	P012-1-028	P012-2-028	P012-3-028	28VCT @ 0.42A	14V @ 0.84A
P020-1-010	P020-2-010	P020-3-010	10VCT @ 2.0A	5V @ 4.0A	P020-1-028	P020-2-028	P020-3-028	28VCT @ 0.7A	14V @ 1.4A
P036-1-010	P036-2-010	P036-3-010	10VCT @ 3.6A	5V @ 7.2A	P036-1-028	P036-2-028	P036-3-028	28VCT @ 1.3A	14V @ 2.6A
P001-1-012*	P001-2-012*	P001-3-012*	12.6VCT @ 0.09A	6.3V @ 0.18A	P001-1-036	P001-2-036	P001-3-036	36VCT @ 0.03A	18V @ 0.06A
P002-1-012*	P002-2-012*	P002-3-012*	12.6VCT @ 0.2A	6.3V @ 0.4A	P002-1-036	P002-2-036	P002-3-036	36VCT @ 0.065A	18V @ 0.13A
P006-1-012	P006-2-012	P006-3-012	12.6VCT @ 0.5A	6.3V @ 1.0A	P006-1-036	P006-2-036	P006-3-036	36VCT @ 0.17A	18V @ 0.34A
P012-1-012	P012-2-012	P012-3-012	12.6VCT @ 1.0A	6.3V @ 2.0A	P012-1-036	P012-2-036	P012-3-036	36VCT @ 0.35A	18V @ 0.7A
P020-1-012	P020-2-012	P020-3-012	12.6VCT @ 1.6A	6.3V @ 3.2A	P020-1-036	P020-2-036	P020-3-036	36VCT @ 0.55A	18V @ 1.1A
P036-1-012	P036-2-012	P036-3-012	12.6VCT @ 2.85A	6.3V @ 5.7A	P036-1-036	P036-2-036	P036-3-036	36VCT @ 1.0A	18V @ 2.0A
P001-1-016*	P001-2-016*	P001-3-016*	16VCT @ 0.07A	8V @ 0.14A	P001-1-048	P001-2-048	P001-3-048	48VCT @ 0.023A	24V @ 0.046A
P002-1-016*	P002-2-016*	P002-3-016*	16VCT @ 0.15A	8V @ 0.3A	P002-1-048	P002-2-048	P002-3-048	48VCT @ 0.05A	24V @ 0.1A
P006-1-016	P006-2-016	P006-3-016	16VCT @ 0.4A	8V @ 0.8A	P006-1-048	P006-2-048	P006-3-048	48VCT @ 0.125A	24V @ 0.25A
P012-1-016	P012-2-016	P012-3-016	16VCT @ 0.8A	8V @ 1.6A	P012-1-048	P012-2-048	P012-3-048	48VCT @ 0.25A	24V @ 0.5A
P020-1-016	P020-2-016	P020-3-016	16VCT @ 1.25A	8V @ 2.5A	P020-1-048	P020-2-048	P020-3-048	48CT @ 0.4A	24V @ 0.8A
P036-1-016	P036-2-016	P036-3-016	16VCT @ 2.25A	8V @ 4.5A	P036-1-048	P036-2-048	P036-3-048	48VCT @ 0.75A	24V @ 1.5A
P001-1-020*	P001-2-020*	P001-3-020*	20VCT @ 0.055A	10V @ 0.11A	P001-1-056	P001-2-056	P001-3-056	56VCT @ 0.02A	28V @ 0.04A
P002-1-020*	P002-2-020*	P002-3-020*	20VCT @ 0.12A	10V @ 0.24A	P002-1-056	P002-2-056	P002-3-056	56VCT @ 0.045A	28V @ 0.09A
P006-1-020	P006-2-020	P006-3-020	20VCT @ 0.3A	10V @ 0.6A	P006-1-056	P006-2-056	P006-3-056	56VCT @ 0.11A	28V @ 0.22A
P012-1-020	P012-2-020	P012-3-020	20VCT @ 0.6A	10V @ 1.2A	P012-1-056	P012-2-056	P012-3-056	56VCT @ 0.22A	28V @ 0.44A
P020-1-020	P020-2-020	P020-3-020	20VCT @ 1.0A	10V @ 2.0A	P020-1-056	P020-2-056	P020-3-056	56VCT @ 0.35A	28V @ 0.7A
P036-1-020	P036-2-020	P036-3-020	20VCT @ 1.8A	10V @ 3.6A	P036-1-056	P036-2-056	P036-3-056	56VCT @ 0.65A	28V @ 1.3A
P001-1-024	P001-2-024	P001-3-024	24VCT @ 0.045A	12V @ 0.09A	P001-1-120	P001-2-120	P001-3-120	120VCT @ 0.01A	60V @ 0.02A
P002-1-024*	P002-2-024*	P002-3-024*	24VCT @ 0.1A	12V @ 0.2A	P002-1-120	P002-2-120	P002-3-120	120VCT @ 0.02A	60V @ 0.04A
P006-1-024	P006-2-024	P006-3-024	24VCT @ 0.25A	12V @ 0.5A	P006-1-120	P006-2-120	P006-3-120	120VCT @ 0.05A	60V @ 0.1A
P012-1-024	P012-2-024	P012-3-024	24VCT @ 0.5A	12V @ 1.0A	P012-1-120	P012-2-120	P012-3-120	120VCT @ 0.1A	60V @ 0.2A
P020-1-024	P020-2-024	P020-3-024	24VCT @ 0.8A	12V @ 1.6A	P020-1-120	P020-2-120	P020-3-120	120VCT @ 0.16A	60V @ 0.32A
P036-1-024	P036-2-024	P036-3-024	24VCT @ 1.5A	12V @ 3.0A	P036-1-120	P036-2-120	P036-3-120	120VCT @ 0.3A	60V @ 0.6A

Models marked with * are also UL 5085-3 Class 2 recognized (see Page 9)

Over 95,000 additional Captain Class model configurations available!

Refer to the Part Numbering Scheme on the next page to **configure your own part** with following options:

- Primary: 120V, 120/240V, or 240V
- Secondary: 5V to 120V, in 1V increments
- Frequency: 50/60Hz, or economy 60Hz-only
- With or without current or thermal protector(s)
- Temperature Class: 130°C, or 200°C

Take advantage of these pre-designed models, or let us customize to your requirements. That's our specialty.

Examples:

P006-2-724X = 6VA, Dual 115/230V (series/parallel) Primary, 50/60Hz, no internal protector, Single 24V Secondary
 P006-2-724 = Same as above except 120/240V Primary
 P006-1A024 60HZ = 6VA, Single 120V Primary, 60Hz only, 130°C thermal cutoff, Dual 12/24V (series/parallel) Secondary



Printed Circuit Mount	PXXX	-X	X	XXX	X	XXXX
<p>Rating:</p> <p>P001 = 1.1VA, models up to 20V are also Class 2 (see Page 9)</p> <p>P002 = 2.4VA, models up to 24V are also Class 2 (see Page 9)</p> <p>P006 = 6VA</p> <p>P012 = 12VA</p> <p>P020 = 20VA</p> <p>P036 = 36VA</p>						
<p>Primary Voltage:</p> <p>-1 = 120V</p> <p>-2 = 120/240V Dual (series / parallel)</p> <p>-3 = 240V</p>						
<p>Optional Internal Protector:</p> <p>- (dash) = No internal protector</p> <p>A through Z = Over-current and/or over-temperature protection (Contact for list of available protectors)</p>						
<p>Secondary Voltage (10V through 120V, in 1V Increments):</p> <p>010 through 120 = Dual Secondary (series / parallel) Number represents the voltage of the series connection. <i>Example: "024" = 12V (parallel) / 24V (series)</i></p> <p>510 through 620 = Center-tapped Secondary Number represents the total voltage plus 500. <i>Example: "524" = 24V with center-tap (12V on each side)</i></p> <p>710 through 820 = Single Secondary Number represents the voltage plus 700. <i>Example: "724" = 24V</i></p>						
<p>Indication of Adjustment in Primary Voltage:</p> <p>Blank = 120V, 120/240V or 240V, as selected above</p> <p>X = 115V instead of 120V and/or 230V instead of 240V</p>						
<p>Frequency:</p> <p>Blank = 50/60Hz</p> <p>-60HZ = Economy 60Hz-only</p>						

Take advantage of these pre-designed models, or let us customize to your requirements. That's our specialty.

Captain Class

Class 2
UL/cUL 5085-3

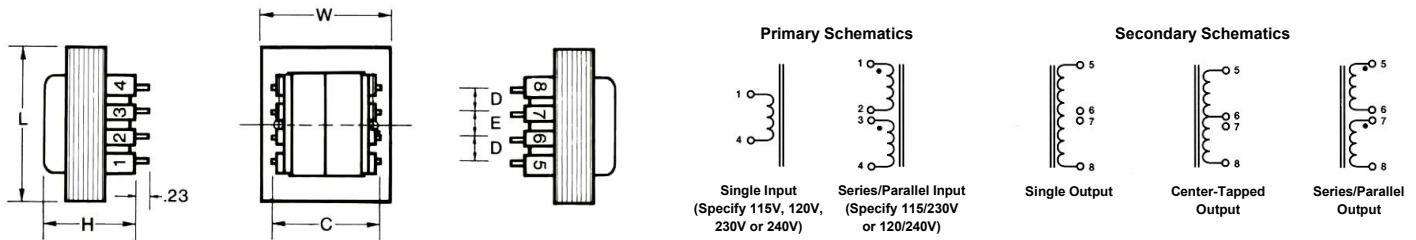
Flame Retardant Materials

- Flame Retardant, UL 94V0 Rating
- High Efficiency
- 1.1 VA or 2.4 VA Power Rating
- Single or Dual Primary, 115V, 115/230V or 230V (Optional 120V, 120/240V or 240V)
- 50/60Hz (Economy 60Hz-only Models Available)
- Single Secondary (Optional Dual or Center-tapped)
- Any Secondary Voltage from 5V to 24V in 1V Increments
- Insulation Material 130°C Standard (Optional 200°C)
- Optional Internal Current or Thermal Protectors
- High Isolation, 2500V, 100% Tested
- Low Capacitive Coupling, no Electrostatic Shield Needed



Agency Approvals:

- UL/cUL 5085-2 Recognized (File E47299)
- UL 1446 Recognized Insulation system (File E95662)
- UL/cUL 5085-3 Class 2 Recognized (File E43609), P001 (up to 20V) & P002 (up to 24V)



VA Rating		Secondary Voltage	Dimensions (Inches)						
			L	W	H	C	D	E	Pins
P001	1.1VA	Up to 20V only	1.38	1.13	0.93	1.22	0.25	0.25	0.041 x 0.020
P002	2.4VA	Up to 24V only	1.38	1.13	1.17	1.22	0.25	0.25	0.041 x 0.020

Partial Selection Guide (Standard Stock)

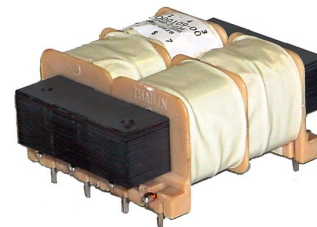
Part Number			
115V Primary	115/230V Primary	230V Primary	Secondary
P001-1-710	P001-2-710	P001-3-710	10V @ 0.11A
P002-1-710	P002-2-710	P002-3-710	10V @ 0.25A
P001-1-712	P001-2-712	P001-3-712	12.6V @ 0.09A
P002-1-712	P002-2-712	P002-3-712	12.6V @ 0.2A
P001-1-716	P001-2-716	P001-3-716	16V @ 0.07A
P002-1-716	P002-2-716	P002-3-716	16V @ 0.15A
P001-1-720	P001-2-720	P001-3-720	20V @ 0.055A
P002-1-720	P002-2-720	P002-3-720	20V @ 0.12A
P002-1-724	P002-2-724	P002-3-724	24V @ 0.1A

Take advantage of these pre-designed models, or let us customize to your requirements. That's our specialty.

Navigator Class

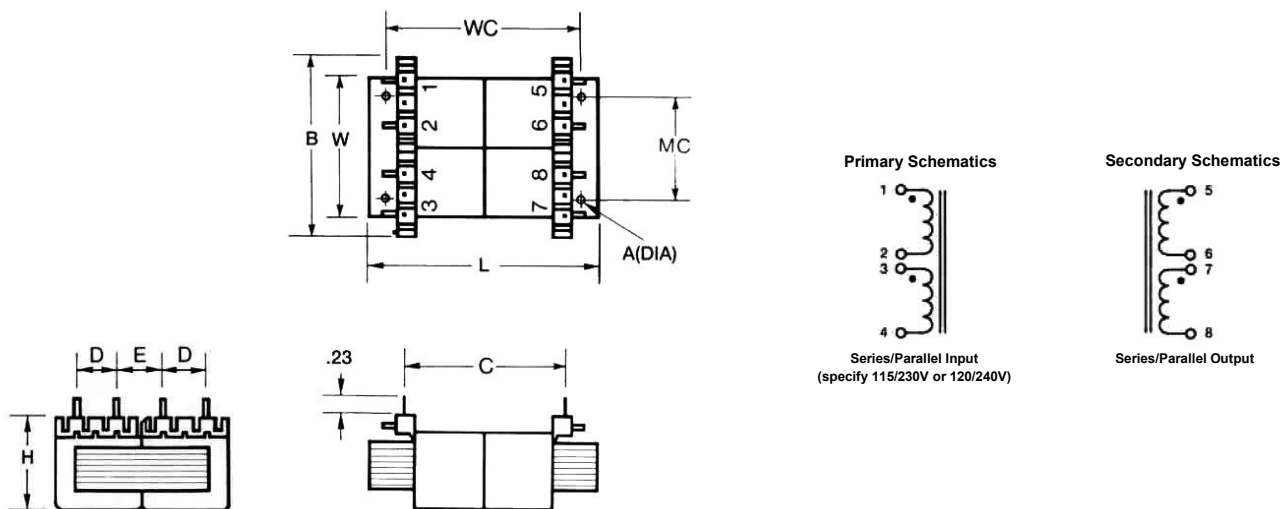
Flame Retardant Material

- Flame Retardant, UL 94V0 Rating
- High Efficiency
- 2.5VA to 48VA Power Rating
- Series or Parallel Primary, 115/230V (Optional 120/240V)
- 50/60Hz (Economy 60Hz-only Models Available)
- Series / Parallel Secondary
- Any Secondary Voltage from 5V to 240V in 1V Increments
- Insulation Material 130°C Standard (Optional 200°C)
- Optional Internal Current or Thermal Protector
- High Isolation, 2500 Vrms, 100% Tested



Agency Approvals:

- UL/cUL 5085-2 Recognized (File E47299)
- UL 1446 Recognized Insulation System (File E95662)



VA Rating		Secondary Voltage	Dimensions (Inches)										
			L	W	H	A	B	C	D	E	MC	WC	Pins
U002	2.5VA	Parallel from 5V to 120V	1.88	1.13	0.65	-	1.56	1.60	0.38	0.38	-	-	0.041 X 0.02
U006	6VA		1.88	1.13	0.81	-	1.56	1.60	0.38	0.38	-	-	0.041 X 0.02
U012	12VA	Series, single or center-tapped from 10V to 240V	2.50	1.50	1.06	-	2.00	2.00	0.50	0.50	-	-	0.041 X 0.02
U024	24VA		2.81	1.69	1.25	0.156	2.25	1.90	0.60	0.53	1.31	2.44	0.041 Square
U048	48VA		3.13	1.88	1.38	0.125	2.50	2.18	0.60	0.66	1.38	2.63	0.041 Square

Take advantage of these pre-designed models, or let us customize to your requirements. That's our specialty.



Partial Selection Guide (Standard Stock)

Part Number			Part Number		
115/230V Primary	Series Secondary	Parallel Secondary	115/230V Primary	Series Secondary	Parallel Secondary
U002-2-010	10VCT @ 250mA	5V @ 500mA	U002-2-034	34VCT @ 75mA	17V @ 150mA
U006-2-010	10VCT @ 600mA	5V @ 1.2A	U006-2-034	34VCT @ 170mA	17V @ 340mA
U012-2-010	10VCT @ 1.2A	5V @ 2.4A	U012-2-034	34VCT @ 340mA	17V @ 680mA
U024-2-010	10VCT @ 2.4A	5V @ 4.8A	U024-2-034	34VCT @ 700mA	17V @ 1.4A
U048-2-010	10VCT @ 4.8A	5V @ 9.6A	U048-2-034	34VCT @ 1.4A	17V @ 2.8A
U002-2-012	12.6VCT @ 200mA	6.3V @ 400mA	U002-2-040	40VCT @ 60mA	20V @ 120mA
U006-2-012	12.6VCT @ 450mA	6.3V @ 900mA	U006-2-040	40VCT @ 150mA	20V @ 300mA
U012-2-012	12.6VCT @ 900mA	6.3V @ 1.8A	U012-2-040	40VCT @ 300mA	20V @ 600mA
U024-2-012	12.6VCT @ 1.90A	6.3V @ 3.8A	U024-2-040	40VCT @ 600mA	20V @ 1.2A
U048-2-012	12.6VCT @ 3.8A	6.3V @ 7.6A	U048-2-040	40VCT @ 1.2A	20V @ 2.4A
U002-2-016	16VCT @ 150mA	8V @ 300mA	U002-2-056	56VCT @ 45mA	28V @ 90mA
U006-2-016	16VCT @ 350mA	8V @ 700mA	U006-2-056	56VCT @ 100mA	28V @ 200mA
U012-2-016	16VCT @ 700mA	8V @ 1.4A	U012-2-056	56VCT @ 200mA	28V @ 400mA
U024-2-016	16VCT @ 1.5A	8V @ 3.0A	U024-2-056	56VCT @ 425mA	28V @ 850mA
U048-2-016	16VCT @ 3.0A	8V @ 6.0A	U048-2-056	56VCT @ 850mA	28V @ 1.7A
U002-2-020	20VCT @ 125mA	10V @ 250mA	U002-2-088	88VCT @ 28mA	44V @ 56mA
U006-2-020	20VCT @ 300mA	10V @ 600mA	U006-2-088	88VCT @ 65mA	44V @ 130mA
U012-2-020	20VCT @ 600mA	10V @ 1.2A	U012-2-088	88VCT @ 130mA	44V @ 260mA
U024-2-020	20VCT @ 1.20A	10V @ 2.4A	U024-2-088	88VCT @ 275mA	44V @ 550mA
U048-2-020	20VCT @ 2.4A	10V @ 4.8A	U048-2-088	88VCT @ 550mA	44V @ 1.1A
U002-2-024	24VCT @ 100mA	12V @ 200mA	U002-2-120	120VCT @ 20mA	60V @ 40mA
U006-2-024	24VCT @ 250mA	12V @ 500mA	U006-2-120	120VCT @ 50mA	60V @ 100mA
U012-2-024	24VCT @ 500mA	12V @ 1.0A	U012-2-120	120VCT @ 100mA	60V @ 200mA
U024-2-024	24VCT @ 1.0A	12V @ 2.0A	U024-2-120	120VCT @ 200mA	60V @ 400mA
U048-2-024	24VCT @ 2.0A	12V @ 4.0A	U048-2-120	120VCT @ 400mA	60V @ 800mA
U002-2-030	30VCT @ 85mA	15V @ 170mA	U002-2-230	230VCT @ 10mA	115V @ 20mA
U006-2-030	30VCT @ 200mA	15V @ 400mA	U006-2-230	230VCT @ 25mA	115V @ 50mA
U012-2-030	30VCT @ 400mA	15V @ 800mA	U012-2-230	230VCT @ 50mA	115V @ 100mA
U024-2-030	30VCT @ 800mA	15V @ 1.6A	U024-2-230	230VCT @ 100mA	115V @ 200mA
U048-2-030	30VCT @ 1.6A	15V @ 3.2A	U048-2-230	230VCT @ 200mA	115V @ 400mA

Over 18,000 additional Navigator Class model configurations available!

Refer to the Part Numbering Scheme on the next page to **configure your own part** with following options:

- Primary: 120/240V
- Secondary: 5V to 240V, in 1V increments
- Frequency: 50/60Hz, or economy 60Hz-only
- With or without current or thermal protector(s)
- Temperature Class: 130°C, or 200°C

Take advantage of these pre-designed models, or let us customize to your requirements. That's our specialty.



Examples:

U006-2-024X = 6VA, Dual 115/230V (series/parallel) Primary, 50/60Hz, no internal protector, Single 24V Secondary

U006-2-024 = Same as above except 120/240V Primary

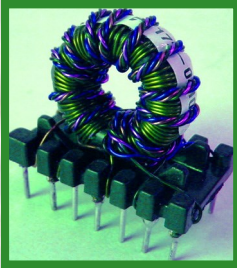
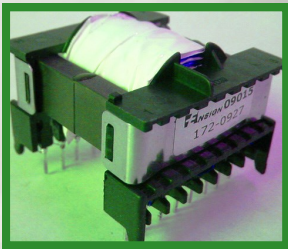
U006-2A024 60HZ = 6VA, Dual 120V/240 Primary, 60HZ only, 130°C thermal cutoff, Dual 24V (series/parallel) Secondary



	UXXX	-X	X	XXX	X	XXXX
Printed Circuit Mount, Low Profile						
Rating:						
U002 = 2.5VA						
U006 = 6VA						
U012 = 12VA						
U024 = 24VA						
U048 = 48VA						
Primary Voltages:						
-2 = 120/240 Dual (series / parallel)						
Optional Internal Protector:						
- (dash) = No internal protector						
A through Z = Over-current and/or over-temperature protection (Contact for list of available protectors)						
Secondary Voltages (10 through 240, in 1V Increments):						
010 through 240 = Dual Secondary (series / parallel) Number represents the voltage of the series connection. <i>Example: "024" = 12V (parallel) / 24V (series)</i>						
Indication of Adjustment in Primary Voltage:						
Blank = 120/240V, as selected above						
X = Primary 115V instead of 120 and/or 230V instead of 240V						
Frequency:						
Blank = 50/60Hz						
-60HZ = Economy 60Hz-only						

Take advantage of these pre-designed models, or let us customize to your requirements. That's our specialty

Let our
Reliability
enhance your Reputation



High Frequency Transformers

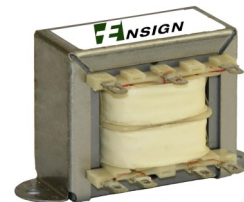
Transformer: the life of your application

- Up to 500KHz
- All popular core shapes
- Can design to meet domestic & international agency requirements
- Through-hole and surface mount

Commodore Class

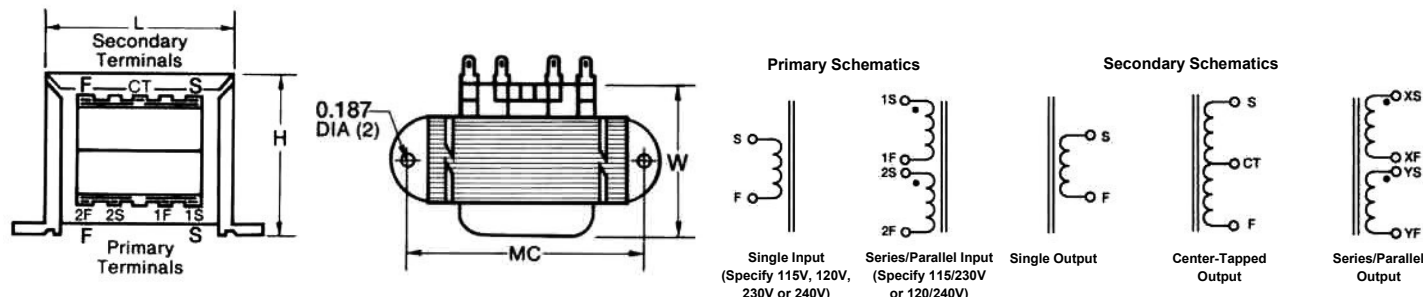
- Flame Retardant, UL 94V0 Rating
- High Efficiency
- 2.4VA to 100VA Power Rating
- Single or Dual Primary, 115V, 115/230V or 230V (Optional 120, 120/240, 240, 277, or 240/277V)
- 50/60Hz (Economy 60Hz-only Models Available)
- Center-tapped Secondary (Optional Single or Dual)
- Any Secondary Voltage from 5V to 120V in 1V Increments
- Insulation Material 130°C Standard (Optional 200°C)
- Optional Internal Current or Thermal Protector
- High Isolation, 2500 Vrms, 100% Tested
- Low Capacitive Coupling, no Electrostatic Shield Needed
- Quick-Connect Terminals

Flame Retardant Material



Agency Approvals:

- UL/cUL 5085-2 Recognized (File E47299)
- UL 1446 Recognized Insulation system (File E95662)
- UL/cUL 5085-3 Class 2 Recognized (File E43609), Only T002 (up to 24V)



VA Rating		Secondary Voltage	Dimensions (Inches)			
			L	W	H	MC
T002	2.4VA	Parallel from 5V to 60V	1.45	1.17	1.19	1.75
T006	6VA		1.70	1.30	1.38	2.00
T012	12VA		1.95	1.44	1.62	2.38
T030	30VA	Series, single & center-tapped from 10V to 120V	2.32	1.76	1.94	2.81
T050	50VA		2.70	1.87	2.25	3.12
T056	56VA		2.70	1.87	2.25	3.12
T100	100VA		3.08	2.25	2.56	3.56

Take advantage of these pre-designed models, or let us customize to your requirements. That's our specialty.



Partial Selection Guide (Standard Stock)

Part Number				Part Number			
115V Primary	115/230V Primary	230V Primary	Secondary	115V Primary	115/230V Primary	230V Primary	Secondary
T002-1-510*	-	T002-3-510*	10VCT @ 250mA	T002-1-528	-	T002-3-528	28VCT @ 85mA
T006-1-510	T006-2-510	T006-3-510	10VCT @ 600mA	T006-1-528	T006-2-528	T006-3-528	28VCT @ 200mA
T012-1-510	T012-2-510	T012-3-510	10VCT @ 1.2A	T012-1-528	T012-2-528	T012-3-528	28VCT @ 420mA
T030-1-510	T030-2-510	T030-3-510	10VCT @ 3.0A	T030-1-528	T030-2-528	T030-3-528	28VCT @ 1.0A
T050-1-510	T050-2-510	T050-3-510	10VCT @ 5.0A	T050-1-528	T050-2-528	T050-3-528	28VCT @ 1.8A
T100-1-510	T100-2-510	T100-3-510	10VCT @ 10A	T100-1-528	T100-2-528	T100-3-528	28VCT @ 3.6A
T002-1-512*	-	T002-3-512*	12.6VCT @ 200mA	T002-1-536	-	T002-3-536	36VCT @ 65mA
T006-1-512	T006-2-512	T006-3-512	12.6VCT @ 500mA	T006-1-536	T006-2-536	T006-3-536	36VCT @ 170mA
T012-1-512	T012-2-512	T012-3-512	12.6VCT @ 1.0A	T012-1-536	T012-2-536	T012-3-536	36VCT @ 350mA
T030-1-512	T030-2-512	T030-3-512	12.6VCT @ 2.5A	T030-1-536	T030-2-536	T030-3-536	36VCT @ 850mA
T050-1-512	T050-2-512	T050-3-512	12.6VCT @ 4.0A	T050-1-536	T050-2-536	T050-3-536	36VCT @ 1.4A
T100-1-512	T100-2-512	T100-3-512	12.6VCT @ 8.0A	T100-1-536	T100-2-536	T100-3-536	36VCT @ 2.8A
T002-1-516*	-	T002-3-516*	16VCT @ 150mA	T002-1-548	-	T002-3-548	48VCT @ 50mA
T006-1-516	T006-2-516	T006-3-516	16VCT @ 400mA	T006-1-548	T006-2-548	T006-3-548	48VCT @ 125mA
T012-1-516	T012-2-516	T012-3-516	16VCT @ 800mA	T012-1-548	T012-2-548	T012-3-548	48VCT @ 250mA
T030-1-516	T030-2-516	T030-3-516	16VCT @ 2.0A	T030-1-548	T030-2-548	T030-3-548	48VCT @ 630mA
T050-1-516	T050-2-516	T050-3-516	16VCT @ 3.12A	T050-1-548	T050-2-548	T050-3-548	48VCT @ 1.04A
T100-1-516	T100-2-516	T100-3-516	16VCT @ 6.25A	T100-1-548	T100-2-548	T100-3-548	48VCT @ 2.0A
T002-1-520*	-	T002-3-520*	20VCT @ 120mA	T002-1-556	-	T002-3-556	56VCT @ 45mA
T006-1-520	T006-2-520	T006-3-520	20VCT @ 300mA	T006-1-556	T006-2-556	T006-3-556	56VCT @ 110mA
T012-1-520	T012-2-520	T012-3-520	20VCT @ 600mA	T012-1-556	T012-2-556	T012-3-556	56VCT @ 220mA
T030-1-520	T030-2-520	T030-3-520	20VCT @ 1.50A	T030-1-556	T030-2-556	T030-3-556	56VCT @ 540mA
T050-1-520	T050-2-520	T050-3-520	20VCT @ 2.5A	T050-1-556	T050-2-556	T050-3-556	56VCT @ 890mA
T100-1-520	T100-2-520	T100-3-520	20VCT @ 5.0A	T100-1-556	T100-2-556	T100-3-556	56VCT @ 1.8A
T002-1-524*	-	T002-3-524*	24VCT @ 100mA	T002-1-620	-	T002-3-620	120VCT @ 20mA
T006-1-524	T006-2-524	T006-3-524	24VCT @ 250mA	T006-1-620	T006-2-620	T006-3-620	120VCT @ 50mA
T012-1-524	T012-2-524	T012-3-524	24VCT @ 500mA	T012-1-620	T012-2-620	T012-3-620	120VCT @ 100mA
T030-1-524	T030-2-524	T030-3-524	24VCT @ 1.25A	T030-1-620	T030-2-620	T030-3-620	120VCT @ 250mA
T050-1-524	T050-2-524	T050-3-524	24VCT @ 2.1A	T050-1-620	T050-2-620	T050-3-620	120VCT @ 420mA
T100-1-524	T100-2-524	T100-3-524	24VCT @ 4.0A	T100-1-620	T100-2-620	T100-3-620	120VCT @ 850mA

Models marked with * are also UL 5085-3 Class 2 recognized (see Page 17)

Over 103,000 additional Commodore Class model configurations available!

Refer to the Part Numbering Scheme on the next page to **configure your own part** with following options:

- Primary: 120V, 120/240V, 240V, 277V, or 240/277V
- Secondary: 5V to 120V, in 1V increments
- Frequency: 50/60Hz, or economy 60Hz-only
- With or without current or thermal protector(s)
- Temperature Class: 130°C, or 200°C

Take advantage of these pre-designed models, or let us customize to your requirements. That's our specialty.

Example:

T075-2A724X = 75VA, Dual 115/230V (series/parallel) Primary, 50/60Hz, with 130°C thermal cut-off, Single 24V Secondary



Frame Mount with Terminals	TXXX	-X	X	XXX	X	XXXX
<p>Rating:</p> <p>T002 = 2.4VA, models up to 24V are also Class 2 (see Page 17)</p> <p>T006 = 6VA</p> <p>T012 = 12VA</p> <p>T030 = 30VA</p> <p>T050 = 50VA</p> <p>T056 = 56VA</p> <p>T100 = 100VA</p>						
<p>Primary Voltages:</p> <p>-1 = 120</p> <p>-2 = 120/240 Dual (series / parallel)</p> <p>-3 = 240</p> <p>-4 = 277, unavailable on Class 2 models</p> <p>-5 = 240/277, unavailable on Class 2 models</p>						
<p>Optional Internal Protector:</p> <p>- (dash) = No internal protector</p> <p>A through Z = Over-current and/or over-temperature protection (Contact for list of available protectors)</p>						
<p>Secondary Voltages (10 through 120, in 1V Increments):</p> <p>010 through 120 = Dual Secondary (series / parallel) Number represents the voltage of the series connection. <i>Example: "024" = 12V (parallel) / 24V (series)</i></p> <p>510 through 620 = Center-tapped Secondary Number represents the total voltage plus 500. <i>Example: "524" = 24V with center-tap (12V on each side)</i></p> <p>710 through 820 = Single Secondary Number represents the voltage plus 700. <i>Example: "724" = 24V</i></p>						
<p>Indication of Adjustment in Primary Voltage:</p> <p>Blank = 120, 120/240, 240, 277 or 240/277, as selected above</p> <p>X = Primary 115V instead of 120 and/or 230V instead of 240V</p>						
<p>Frequency:</p> <p>Blank = 50/60Hz</p> <p>-60HZ = Economy 60Hz-only</p>						

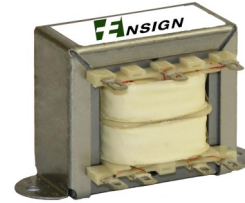
Take advantage of these pre-designed models, or let us customize to your requirements. That's our specialty.

Commodore Class

Class 2
UL/cUL 5085-3

Flame Retardant Material

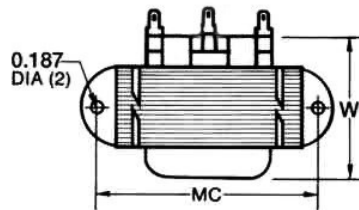
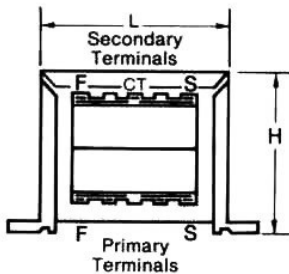
- Flame Retardant, UL 94V0 Rating
- High Efficiency
- 2.4VA Power Rating
- Single Primary, 115V or 230V (Optional 120 or 240V)
- 50/60Hz (Economy 60Hz-only Models Available)
- Single Secondary (Optional Center-tapped)
- Any Secondary Voltage from 10V to 24V in 1V Increments
- Insulation Material 130°C Standard (Optional 200°C)
- Optional Internal Current or Thermal Protector
- High Isolation, 2500 Vrms, 100% Tested
- Low Capacitive Coupling, no Electrostatic Shield Needed
- Quick-Connect Terminals



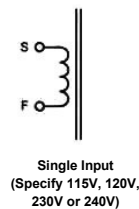
Class 2     

Agency Approvals:

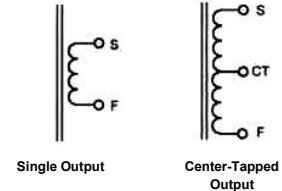
- UL/cUL 5085-2 Recognized (File E47299)
- UL 1446 Recognized Insulation system (File E95662)
- UL/cUL 5085-3 Class 2 Recognized (File E43609), (up to 24V)



Primary Schematic



Secondary Schematics



VA Rating		Secondary Voltage	Dimensions (Inches)			
			L	W	H	MC
*T002	2.4VA	Up to 24V only	1.45	1.17	1.19	1.75

*T002 Series unavailable in dual inputs or outputs

Partial Selection Guide (Standard Stock)

Part Number		
115V Primary	230V Primary	Secondary
T002-1-710	T002-3-710	10V @ 250mA
T002-1-712	T002-3-712	12.6V @ 200mA
T002-1-716	T002-3-716	16V @ 150mA
T002-1-720	T002-3-720	20V @ 120mA
T002-1-724	T002-3-724	24V @ 100mA

Take advantage of these pre-designed models, or let us customize to your requirements. That's our specialty.

Commander Class

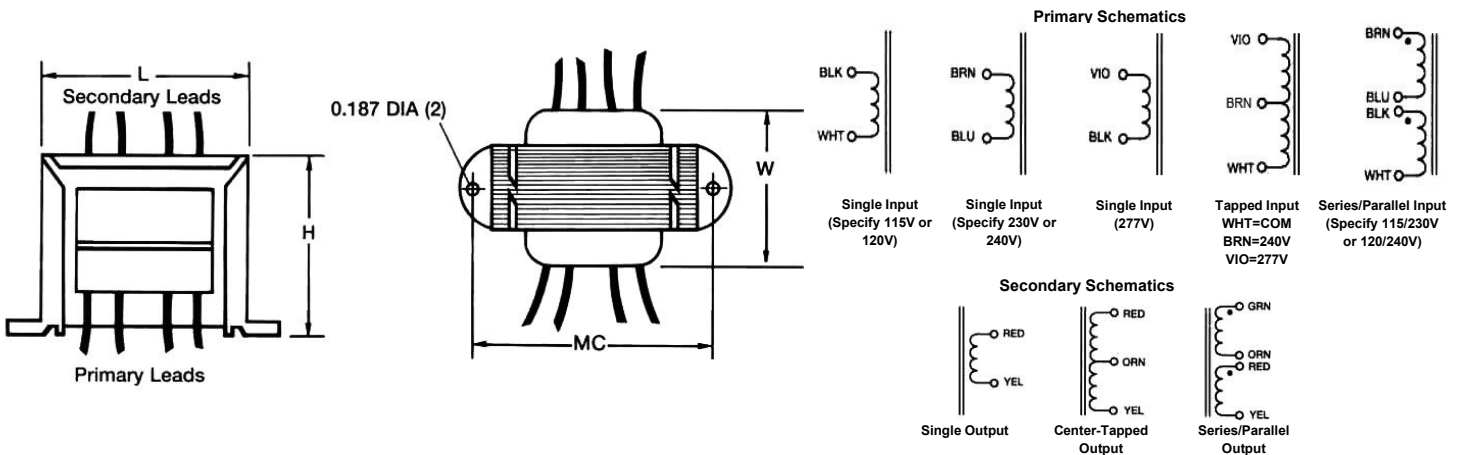
- Flame Retardant, UL 94V0 Rating
- High Efficiency
- 2.4VA to 100VA Power Rating
- Single or Dual Primary, 115V, 115/230V or 230V (Optional 120, 120/240, 240, 277, or 240/277V)
- 50/60Hz (Economy 60Hz-only Models Available)
- Center-tapped Secondary (Optional Single or Dual)
- Any Secondary Voltage from 5V to 120V in 1V Increments
- Insulation Material 130°C Standard (Optional 200°C)
- Optional Internal Current or Thermal Protector
- High Isolation, 2500 Vrms, 100% Tested
- Low Capacitive Coupling, no Electrostatic Shield Needed
- Color Coded Hook-up Wires, 6" Standard Length

Flame Retardant Material



Agency Approvals:

- UL/cUL 5085-2 Recognized (File E47299)
- UL 1446 Recognized Insulation system (File E95662)
- UL/cUL 5085-3 Class 2 Recognized (File E43609), Only L002 (up to 24V)



VA Rating		Secondary	Dimensions (Inches)			
			L	W	H	MC
L002	2.4VA	Parallel from 5V to 60V	1.45	1.40	1.19	1.75
L006	6VA		1.70	1.50	1.38	2.00
L012	12VA		1.95	1.64	1.62	2.38
L020	20VA	Series, single & center-tapped from 10V to 120V	2.32	1.60	1.94	2.81
L030	30VA		2.32	2.00	1.94	2.81
L040	40VA		2.70	1.95	2.25	3.12
L050	50VA		2.70	2.13	2.25	3.12
L056	56VA		2.70	2.13	2.25	3.12
L075	75VA		3.08	2.25	2.56	3.56
L100	100VA		3.08	2.50	2.56	3.56

Take advantage of these pre-designed models, or let us customize to your requirements. That's our specialty.

Partial Selection Guide (Standard Stock)

Part Number				Part Number			
115V Primary	115/230V Primary	230V Primary	Secondary	115V Primary	115/230V Primary	230V Primary	Secondary
L002-1-510*	L002-2-510*	L002-3-510*	10VCT @ 250mA	L002-1-520*	L002-2-520*	L002-3-520*	20VCT @ 120mA
L006-1-510	L006-2-510	L006-3-510	10VCT @ 600mA	L006-1-520	L006-2-520	L006-3-520	20VCT @ 300mA
L012-1-510	L012-2-510	L012-3-510	10VCT @ 1.2A	L012-1-520	L012-2-520	L012-3-520	20VCT @ 600mA
L020-1-510	L020-2-510	L020-3-510	10VCT @ 2.0A	L020-1-520	L020-2-520	L020-3-520	20VCT @ 1.0A
L030-1-510	L030-2-510	L030-3-510	10VCT @ 3.0A	L030-1-520	L030-2-520	L030-3-520	20VCT @ 1.50A
L040-1-510	L040-2-510	L040-3-510	10VCT @ 4.0A	L040-1-520	L040-2-520	L040-3-520	20VCT @ 2.0A
L050-1-510	L050-2-510	L050-3-510	10VCT @ 5.0A	L050-1-520	L050-2-520	L050-3-520	20VCT @ 2.5A
L056-1-510	L056-2-510	L056-3-510	10VCT @ 5.6A	L056-1-520	L056-2-520	L056-3-520	20VCT @ 2.8A
L075-1-510	L075-2-510	L075-3-510	10VCT @ 7.5A	L075-1-520	L075-2-520	L075-3-520	20VCT @ 3.8A
L100-1-510	L100-2-510	L100-3-510	10VCT @ 10A	L100-1-520	L100-2-520	L100-3-520	20VCT @ 5.0A
L002-1-512*	L002-2-512*	L002-3-512*	12.6VCT @ 200mA	L002-1-524*	L002-2-524*	L002-3-524*	24VCT @ 100mA
L006-1-512	L006-2-512	L006-3-512	12.6VCT @ 500mA	L006-1-524	L006-2-524	L006-3-524	24VCT @ 250mA
L012-1-512	L012-2-512	L012-3-512	12.6VCT @ 1.0A	L012-1-524	L012-2-524	L012-3-524	24VCT @ 500mA
L020-1-512	L020-2-512	L020-3-512	12.6VCT @ 1.6A	L020-1-524	L020-2-524	L020-3-524	24VCT @ 800mA
L030-1-512	L030-2-512	L030-3-512	12.6VCT @ 2.5A	L030-1-524	L030-2-524	L030-3-524	24VCT @ 1.25A
L040-1-512	L040-2-512	L040-3-512	12.6VCT @ 3.2A	L040-1-524	L040-2-524	L040-3-524	24VCT @ 1.6A
L050-1-512	L050-2-512	L050-3-512	12.6VCT @ 4.0A	L050-1-524	L050-2-524	L050-3-524	24VCT @ 2.1A
L056-1-512	L056-2-512	L056-3-512	12.6VCT @ 4.4A	L056-1-524	L056-2-524	L056-3-524	24VCT @ 2.4A
L075-1-512	L075-2-512	L075-3-512	12.6VCT @ 6.0A	L075-1-524	L075-2-524	L075-3-524	24VCT @ 3.1A
L100-1-512	L100-2-512	L100-3-512	12.6VCT @ 8.0A	L100-1-524	L100-2-524	L100-3-524	24VCT @ 4.0A
L002-1-516*	L002-2-516*	L002-3-516*	16VCT @ 150mA	L002-1-528	L002-2-528	L002-3-528	28VCT @ 85mA
L006-1-516	L006-2-516	L006-3-516	16VCT @ 400mA	L006-1-528	L006-2-528	L006-3-528	28VCT @ 200mA
L012-1-516	L012-2-516	L012-3-516	16VCT @ 800mA	L012-1-528	L012-2-528	L012-3-528	28VCT @ 420mA
L020-1-516	L020-2-516	L020-3-516	16VCT @ 1.25A	L020-1-528	L020-2-528	L020-3-528	28VCT @ 700mA
L030-1-516	L030-2-516	L030-3-516	16VCT @ 2.0A	L030-1-528	L030-2-528	L030-3-528	28VCT @ 1.0A
L040-1-516	L040-2-516	L040-3-516	16VCT @ 2.5A	L040-1-528	L040-2-528	L040-3-528	28VCT @ 1.4A
L050-1-516	L050-2-516	L050-3-516	16VCT @ 3.12A	L050-1-528	L050-2-528	L050-3-528	28VCT @ 1.8A
L056-1-516	L056-2-516	L056-3-516	16VCT @ 3.5A	L056-1-528	L056-2-528	L056-3-528	28VCT @ 2.0A
L075-1-516	L075-2-516	L075-3-516	16VCT @ 4.7A	L075-1-528	L075-2-528	L075-3-528	28VCT @ 2.7A
L100-1-516	L100-2-516	L100-3-516	16VCT @ 6.25A	L100-1-528	L100-2-528	L100-3-528	28VCT @ 3.6A

Models marked with * are also UL 5085-3 Class 2 recognized (see Page 22)

Take advantage of these pre-designed models, or let us customize to your requirements. That's our specialty.



Partial Selection Guide (Standard Stock)

Part Number				Part Number			
115V Primary	115/230V Primary	230V Primary	Secondary	115V Primary	115/230V Primary	230V Primary	Secondary
L002-1-536	L002-2-536	L002-3-536	36VCT @ 65mA	L002-1-556	L002-2-556	L002-3-556	56VCT @ 45mA
L006-1-536	L006-2-536	L006-3-536	36VCT @ 170mA	L006-1-556	L006-2-556	L006-3-556	56VCT @ 100mA
L012-1-536	L012-2-536	L012-3-536	36VCT @ 350mA	L012-1-556	L012-2-556	L012-3-556	56VCT @ 220mA
L020-1-536	L020-2-536	L020-3-536	36VCT @ 600mA	L020-1-556	L020-2-556	L020-3-556	56VCT @ 350mA
L030-1-536	L030-2-536	L030-3-536	36VCT @ 850mA	L030-1-556	L030-2-556	L030-3-556	56VCT @ 540mA
L040-1-536	L040-2-536	L040-3-536	36VCT @ 1.1A	L040-1-556	L040-2-556	L040-3-556	56VCT @ 700mA
L050-1-536	L050-2-536	L050-3-536	36VCT @ 1.4A	L050-1-556	L050-2-556	L050-3-556	56VCT @ 890mA
L056-1-536	L056-2-536	L056-3-536	36VCT @ 1.5A	L056-1-556	L056-2-556	L056-3-556	56VCT @ 1.0A
L075-1-536	L075-2-536	L075-3-536	36VCT @ 2.0A	L075-1-556	L075-2-556	L075-3-556	56VCT @ 1.3A
L100-1-536	L100-2-536	L100-3-536	36VCT @ 2.8A	L100-1-556	L100-2-556	L100-3-556	56VCT @ 1.8A
L002-1-548	L002-2-548	L002-3-548	48VCT @ 50mA	L002-1-620	L002-2-620	L002-3-620	120VCT @ 20mA
L006-1-548	L006-2-548	L006-3-548	48VCT @ 125mA	L006-1-620	L006-2-620	L006-3-620	120VCT @ 50mA
L012-1-548	L012-2-548	L012-3-548	48VCT @ 250mA	L012-1-620	L012-2-620	L012-3-620	120VCT @ 100mA
L020-1-548	L020-2-548	L020-3-548	48VCT @ 400mA	L020-1-620	L020-2-620	L020-3-620	120VCT @ 160mA
L030-1-548	L030-2-548	L030-3-548	48VCT @ 630mA	L030-1-620	L030-2-620	L030-3-620	120VCT @ 250mA
L040-1-548	L040-2-548	L040-3-548	48VCT @ 800mA	L040-1-620	L040-2-620	L040-3-620	120VCT @ 330mA
L050-1-548	L050-2-548	L050-3-548	48VCT @ 1.04A	L050-1-620	L050-2-620	L050-3-620	120VCT @ 420mA
L056-1-548	L056-2-548	L056-3-548	48VCT @ 1.2A	L056-1-620	L056-2-620	L056-3-620	120VCT @ 470mA
L075-1-548	L075-2-548	L075-3-548	48VCT @ 1.6A	L075-1-620	L075-2-620	L075-3-620	120VCT @ 625mA
L100-1-548	L100-2-548	L100-3-548	48VCT @ 2.0A	L100-1-620	L100-2-620	L100-3-620	120VCT @ 850mA

Over 159,000 additional Commander Class model configurations available!

Refer to the Part Numbering Scheme on the next page to **configure your own part** with following options:

- Primary: 120V, 120/240V, 240V, 277V, or 240/277V
- Secondary: 5V to 120V, in 1V increments
- Frequency: 50/60Hz, or economy 60Hz-only
- With or without current or thermal protector(s)
- Temperature Class: 130°C, or 200°C

Take advantage of these pre-designed models, or let us customize to your requirements. That's our specialty.

Commander Class



Examples:

L075-2A724X = 75VA, Dual 115/230V (series/parallel) Primary, 50/60Hz, 130°C thermal cutoff, Single 24V Secondary

Frame Mount with Lead Wires	LXXX	-X	X	XXX	X	XXXX
<p>Rating:</p> <p>L002 = 2.4VA, models up to 24V are also Class 2 (see Page 22)</p> <p>L006 = 6VA L050 = 50VA</p> <p>L012 = 12VA L056 = 56VA</p> <p>L020 = 20VA L075 = 75VA</p> <p>L030 = 30VA L100 = 100VA</p> <p>L040 = 40VA</p> <p>Primary Voltages:</p> <p>-1 = 120</p> <p>-2 = 120/240 Dual (series / parallel)</p> <p>-3 = 240</p> <p>-4 = 277, unavailable on Class 2 models</p> <p>-5 = 240/277 (tapped), unavailable on Class 2 models</p> <p>Optional Internal Protector:</p> <p>- (dash) = No internal protector</p> <p>A through Z = Over-current and/or over-temperature protection (Contact for list of available protectors)</p> <p>Secondary Voltages (10 through 120, in 1V Increments):</p> <p>010 through 120 = Dual Secondary (series / parallel) Number represents the voltage of the series connection. <i>Example: "024" = 12V (parallel) / 24V (series)</i></p> <p>510 through 620 = Center-tapped Secondary Number represents the total voltage plus 500. <i>Example: "524" = 24V with center-tap (12V on each side)</i></p> <p>710 through 820 = Single Secondary Number represents the voltage plus 700. <i>Example: "724" = 24V</i></p> <p>Indication of Adjustment in Primary Voltage:</p> <p>Blank = 120V, 120/240V or 240V, as selected above</p> <p>X = Primary 115V instead of 120 and/or 230V instead of 240V</p> <p>Frequency:</p> <p>Blank = 50/60Hz</p> <p>-60HZ = Economy 60Hz-only</p>						

Take advantage of these pre-designed models, or let us customize to your requirements. That's our specialty.

Commander Class

Class 2
UL/cUL 5085-3

Flame Retardant Material

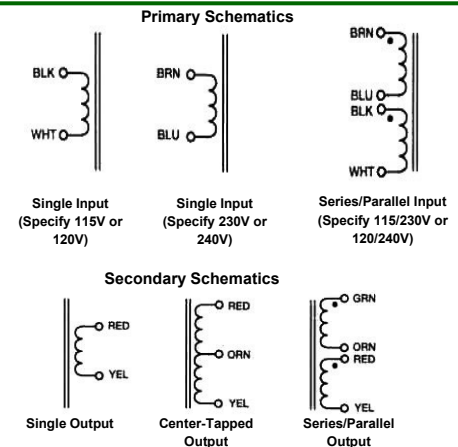
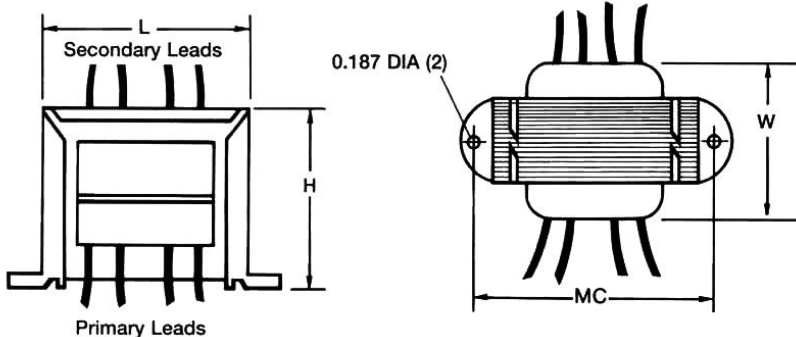
- Flame Retardant, UL 94V0 Rating
- High Efficiency
- 2.4VA Power Rating
- Single or Dual Primary, 115V, 115/230V or 230V (Optional 120, 120/240, 240V)
- 50/60Hz (Economy 60Hz-only Models Available)
- Single Secondary (Optional Dual or Center-tapped)
- Any Secondary Voltage from 5V to 20V in 1V Increments
- Insulation Material 130°C Standard (Optional 200°C)
- Optional Internal Current or Thermal Protector
- High Isolation, 2500 Vrms, 100% Tested
- Low Capacitive Coupling, no Electrostatic Shield Needed
- Color Coded Hook-up Wires, 6" Standard Length



Class 2     

Agency Approvals:

- UL/cUL 5085-2 Recognized (File E47299)
- UL 1446 Recognized Insulation system (File E95662)
- UL/cUL 5085-3 Class 2 Recognized (File E43609), L002 (up to 24V)



VA Rating	Output Voltage	Dimensions (Inches)				
		L	W	H	MC	
L002	2.4VA	Up to 24V only	1.45	1.40	1.19	1.75

Partial Selection Guide (Standard Stock)

Part Number			
115V Primary	115/230V Primary	230V Primary	Secondary
L002-1-710	L002-2-710	L002-3-710	10V @ 250mA
L002-1-712	L002-2-712	L002-3-712	12.6V @ 200mA
L002-1-716	L002-2-716	L002-3-716	16V @ 150mA
L002-1-720	L002-2-720	L002-3-720	20V @ 120mA
L002-1-724	L002-2-724	L002-3-724	24V @ 100mA

Take advantage of these pre-designed models, or let us customize to your requirements. That's our specialty.

Saving Energy
the World Over...

Adapters



Thousands of UL/cUL 1310 listed pre-engineered models 3 Watts to 40 Watts

Choice of output plugs & connectors

Custom designs for :

- Medical and international standards
- Direct plug-in, desktop, floor models
- Indoor and outdoor applications



Admiral Class – Printed Circuit

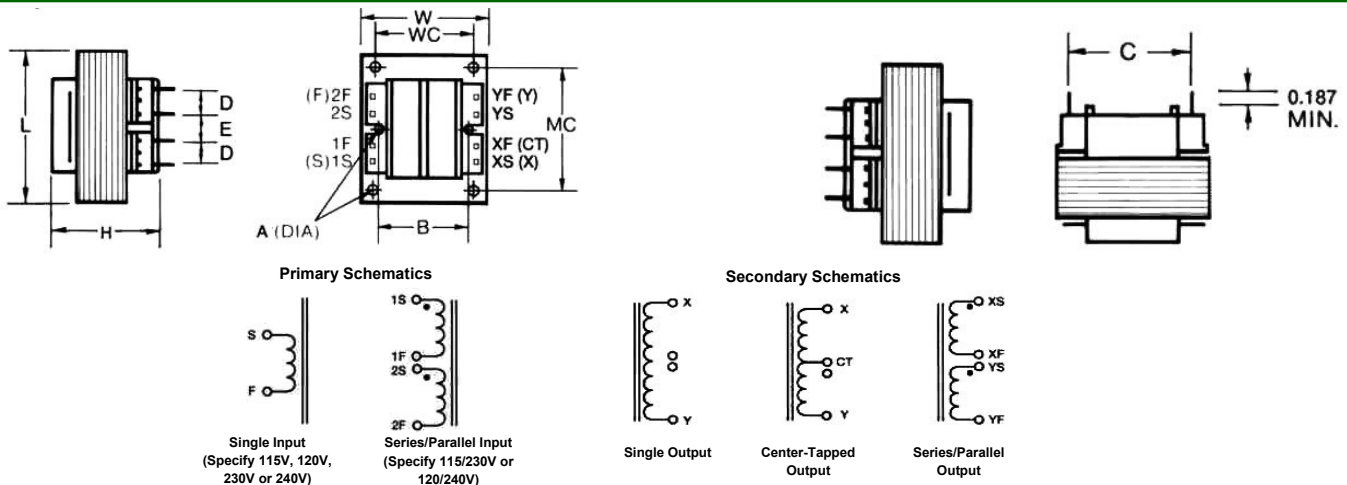
- Flame Retardant, UL 94V0 Rating
- High Efficiency
- 2.5VA to 56VA Power Rating
- Single or Dual Primary, 115V, 115/230V or 230V
(Optional 120, 120/240, 240, 120 with taps, 240 with taps, or 120/240 with taps)
- 50/60Hz (Economy 60Hz-only Models Available)
- Dual Secondary (Optional Single or Center-tapped)
- Any Secondary Voltage from 5V to 240V in 1V Increments
- Insulation Material 130°C Standard (Optional 200°C)
- Optional Internal Current or Thermal Protector
- High Isolation, 4000 Vrms, 100% Tested

Flame Retardant Material



Agency Approvals:

- UL/cUL 5085-2 Recognized (File E47299)
- UL 60950 Recognized (File E144070)
- VDE 0805 Licensed (File 19019-3336-9002/A1C)
- UL 1446 Recognized Insulation system (File E95662)



VA Rating	Secondary Voltage	Dimensions (Inches)											
		L	W	H	A	B	C	D	E	MC	WC	Pins	
IP002	2.5VA	Parallel from 5V to 120V	1.62	1.31	1.12	0.125*	1.06	1.00	0.20	0.25	-	-	0.025 Sq.
IP005	5VA		1.62	1.31	1.36	0.125*	1.06	1.00	0.20	0.40	-	-	0.025 Sq.
IP010	10VA		1.87	1.56	1.36	0.150*	1.25	1.13	0.20	0.40	-	-	0.036 Sq.
IP020	20VA	Series, single & center-tapped from 10V to 240V	2.25	1.87	1.64	0.156*	1.50	1.44	0.40	0.40	-	-	0.036 Sq.
IP030	30VA		2.62	2.19	1.57	0.156**	-	1.65	0.55	0.275	2.18	1.75	0.045 Sq.
IP056	56VA		3.00	2.50	1.82	0.218**	-	1.87	0.60	0.30	2.50	2.00	0.045 Sq.

* = 2 holes, ** = 4 holes

Take advantage of these pre-designed models, or let us customize to your requirements. That's our specialty.



Part Number					
115V Primary	115/230V Primary	230V Primary	VA	Series Secondary	Parallel Secondary
IP002-1-010	IP002-2-010	IP002-3-010	2.5	10VCT @ 0.25A	5V @ 0.50A
IP005-1-010	IP005-2-010	IP005-3-010	5.0	10VCT @ 0.50A	5V @ 1.0A
IP010-1-010	IP010-2-010	IP010-3-010	10.0	10VCT @ 1.0A	5V @ 2.0A
IP002-1-012	IP002-2-012	IP002-3-012	2.5	12.6VCT @ 0.20A	6.3V @ 0.40A
IP005-1-012	IP005-2-012	IP005-3-012	5.0	12.6VCT @ 0.40A	6.3V @ 0.80A
IP010-1-012	IP010-2-012	IP010-3-012	10.0	12.6VCT @ 0.80A	6.3V @ 1.60A
IP002-1-016	IP002-2-016	IP002-3-016	2.5	16VCT @ 0.15A	8V @ 0.30A
IP005-1-016	IP005-2-016	IP005-3-016	5.0	16VCT @ 0.31A	8V @ 0.62A
IP010-1-016	IP010-2-016	IP010-3-016	10.0	16VCT @ 0.62A	8V @ 1.25A
IP002-1-020	IP002-2-020	IP002-3-020	2.5	20VCT @ 0.12A	10V @ 0.24A
IP005-1-020	IP005-2-020	IP005-3-020	5.0	20VCT @ 0.25A	10V @ 0.50A
IP010-1-020	IP010-2-020	IP010-3-020	10.0	20VCT @ 0.50A	10V @ 1.0A
IP002-1-024	IP002-2-024	IP002-3-024	2.5	24VCT @ 0.10A	12V @ 0.20A
IP005-1-024	IP005-2-024	IP005-3-024	5.0	24VCT @ 0.21A	12V @ 0.42A
IP010-1-024	IP010-2-024	IP010-3-024	10.0	24VCT @ 0.42A	12V @ 0.84A
IP002-1-028	IP002-2-028	IP002-3-028	2.5	28VCT @ 0.09A	14V @ 0.18A
IP005-1-028	IP005-2-028	IP005-3-028	5.0	28VCT @ 0.18A	14V @ 0.36A
IP010-1-028	IP010-2-028	IP010-3-028	10.0	28VCT @ 0.36A	14V @ 0.72A
IP002-1-036	IP002-2-036	IP002-3-036	2.5	36VCT @ 0.07A	18V @ 0.14A
IP005-1-036	IP005-2-036	IP005-3-036	5.0	36VCT @ 0.14A	18V @ 0.28A
IP010-1-036	IP010-2-036	IP010-3-036	10.0	36VCT @ 0.28A	18V @ 0.56A
IP020-1-010	IP020-2-010	IP020-3-010	20	10VCT @ 2.0A	5V @ 4.0A
IP030-1-010	IP030-2-010	IP030-3-010	30	10VCT @ 3.0A	5V @ 6.0A
IP056-1-010	IP056-2-010	IP056-3-010	56	10VCT @ 5.6A	5V @ 11.2A
IP020-1-012	IP020-2-012	IP020-3-012	20	12.6VCT @ 1.6A	6.3V @ 3.2A
IP030-1-012	IP030-2-012	IP030-3-012	30	12.6VCT @ 2.4A	6.3V @ 4.8A
IP056-1-012	IP056-2-012	IP056-3-012	56	12.6VCT @ 4.4A	6.3V @ 8.8A
IP020-1-016	IP020-2-016	IP020-3-016	20	16VCT @ 1.25A	8V @ 2.5A
IP030-1-016	IP030-2-016	IP030-3-016	30	16VCT @ 1.9A	8V @ 3.8A
IP056-1-016	IP056-2-016	IP056-3-016	56	16VCT @ 3.5A	8V @ 7.0A
IP020-1-020	IP020-2-020	IP020-3-020	20	20VCT @ 1.0A	10V @ 2.0A
IP030-1-020X	IP030-2-020	IP030-3-020	30	20VCT @ 1.5A	10V @ 3.0A
IP056-1-020	IP056-2-020	IP056-3-020	56	20VCT @ 2.8A	10V @ 5.6A
IP020-1-024	IP020-2-024	IP020-3-024	20	24VCT @ 0.83A	12V @ 1.66A
IP030-1-024	IP030-2-024	IP030-3-024	30	24VCT @ 1.25A	12V @ 2.5A
IP056-1-024	IP056-2-024	IP056-3-024	56	24VCT @ 2.33A	12V @ 4.66A
IP020-1-028	IP020-2-028	IP020-3-028	20	28VCT @ 0.72A	14V @ 1.44A
IP030-1-028	IP030-2-028	IP030-3-028	30	28VCT @ 1.06A	14V @ 2.12A
IP056-1-028	IP056-2-028	IP056-3-028	56	28VCT @ 2.0A	14V @ 4.0A
IP020-1-036	IP020-2-036	IP020-3-036	20	36VCT @ 0.56A	18V @ 1.12A
IP030-1-036	IP030-2-036	IP030-3-036	30	36VCT @ 0.82A	18V @ 1.64A
IP056-1-036	IP056-2-036	IP056-3-036	56	36VCT @ 1.56A	18V @ 3.12A

Over 199,000 additional Admiral Class (Printed Circuit) model configurations available!

Refer to the Part Numbering Scheme on the next page to **configure your own part** with following options:

- Primary: 120V, 120/240V, 240V, 100/110/120V, 200/220/240V, 120/220/240V, 100/120/200/220/240V
- Secondary: 5V to 240V, in 1V increments
- Frequency: 50/60Hz, or economy 60Hz-only
- With or without current or thermal protector(s)
- Temperature Class: 130°C, or 200°C

Take advantage of these pre-designed models, or let us customize to your requirements. That's our specialty.



Examples:

IP056-2-824A = 56VA, Dual 120/240V (series/parallel) Primary, 50/60Hz, with 130°C thermal cutoff, Single 24V Secondary
 IP056-2-824XA = 56VA, Dual 115/230V (series/parallel) Primary, 50/60Hz, with 130°C thermal cutoff, Single 24V Secondary



Printed Circuit Mount, International	IPXXX	-X	XXX	X	-X
<p>Rating:</p> <p>IP002 = 2.5VA</p> <p>IP005 = 5VA</p> <p>IP010 = 10VA</p> <p>IP020 = 20VA</p> <p>IP030 = 30VA</p> <p>IP056 = 56VA</p>					
<p>Primary Voltages:</p> <p>-1 = 120</p> <p>-2 = 120/240 Dual (series / parallel)</p> <p>-3 = 240</p> <p>-4 = 100/110/120, unavailable on 2.5, 5, 10VA models</p> <p>-6 = 200/220/240, unavailable on 2.5, 5, 10VA models</p> <p>-7 = 120/220/240, unavailable on 2.5, 5, 10VA models</p>					
<p>Secondary Voltages (10 through 240, in 1V Increments):</p> <p>010 through 240 = Dual Secondary (series / parallel) Number represents the voltage of the series connection. <i>Example: "024" = 12V (parallel) / 24V (series)</i></p> <p>510 through 740 = Center-tapped Secondary Number represents the total voltage plus 500. <i>Example: "524" = 24V with center-tap (12V on each side)</i></p> <p>810 through 1040 = Single Secondary Number represents the voltage plus 800. <i>Example: "824" = 24V</i></p>					
<p>Indication of Adjustment in Primary Voltage:</p> <p>Blank = 120V, 120/240V or 240V, as selected above</p> <p>X = 115V instead of 120V and/or 230V instead of 240V</p>					
<p>Optional internal protector:</p> <p>Blank = No internal protector</p> <p>A through Z = Over-current and/or over-temperature protection (Contact for list of available protectors)</p>					

Take advantage of these pre-designed models, or let us customize to your requirements. That's our specialty.



DURABILITY

Designed & built to last

TECHNOLOGY

Innovative designs using modern materials

LEGACY

Support throughout your production cycle and into tomorrow's designs

DESIGN FOR THE FUTURE

ENCAPSULATED TRANSFORMERS

- 0.6 VA to 2.1 VA
- UL/cUL 5085-2 General Purpose and 5085-3 Class 2 approved
- TUV/EN 61558 approved, and CE-marked
- Operating ambient temperatures up to +70°C



Admiral Class – Quick -Connect Terminals

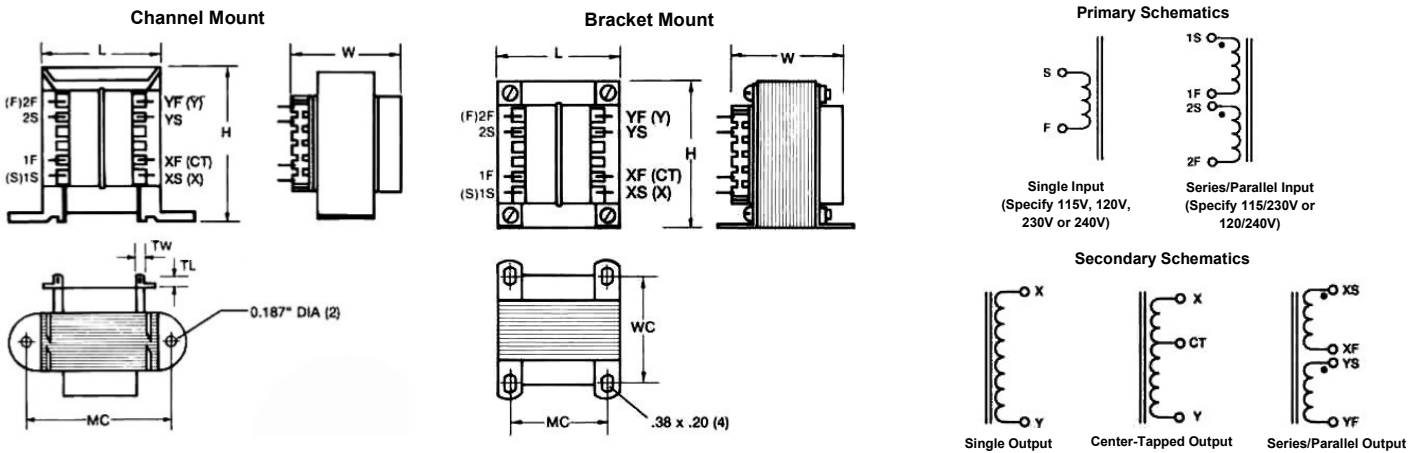
- Flame Retardant, UL 94V0 Rating
- High Efficiency
- 25VA to 175VA Power Rating
- Single or Dual Primary, 115V, 115/230V or 230V
(Optional 120, 120/240, 240, 120 with taps, 240 with taps, or 120/240 with taps)
- 50/60Hz (Economy 60Hz-only Models Available)
- Dual Secondary (Optional Single or Center-tapped)
- Any Secondary Voltage from 5V to 240V in 1V Increments
- Insulation Material 130°C Standard (Optional 200°C)
- Optional Internal Current or Thermal Protector
- High Isolation, 4000 Vrms, 100% Tested
- Quick-Connect Terminal with Slots for Optional Soldering

Flame Retardant Material



Agency Approvals:

- UL/cUL 5085-2 Recognized (File E47299)
- UL 60950 Recognized (File E144070)
- VDE 0805 Licensed (File 19019-3336-9002/A1C)
- UL 1446 Recognized Insulation system (File E95662)



VA Rating		Secondary Voltage	Dimensions (Inches)							
			L	W	H	Mounting	MC	WC	TL	TW
IT025	25VA	Parallel from 5V to 120V	1.95	2.13	2.31	Channel	2.38	-	0.312	0.187 x 0.020
IT043	43VA		2.26	2.13	2.68	Channel	2.81	-	0.330	0.187 x 0.020
IT080	80VA		2.50	2.50	3.00	Brackets	2.00	2.25	0.330	0.187 x 0.020
IT130	130VA	Series, single & center-tapped from 10V to 240V	2.81	3.08	3.38	Brackets	2.25	2.50	0.395	0.250 x 0.032
IT175	175VA		3.12	3.12	3.75	Brackets	2.50	2.50	0.395	0.250 x 0.032

Take advantage of these pre-designed models, or let us customize to your requirements. That's our specialty.

Ener-G-Star™

Energy Efficient Transformers

Admiral Class – Quick-Connect Terminals

Partial Selection Guide (Standard Stock)



Part Number					
115V Primary	115/230V Primary	230V Primary	VA	Series Secondary	Parallel Secondary
IT025-1-010	IT025-2-010	IT025-3-010	25	10VCT @ 2.5A	5V @ 5.0A
IT043-1-010	IT043-2-010	IT043-3-010	43	10VCT @ 4.3A	5V @ 8.6A
IT080-1-010	IT080-2-010	IT080-3-010	80	10VCT @ 8.0A	5V @ 16.0A
IT130-1-010	IT130-2-010	IT130-3-010	130	10VCT @ 13.0A	5V @ 26.0A
IT175-1-010	IT175-2-010	IT175-3-010	175	10VCT @ 17.5A	5V @ 35.0A
IT025-1-012	IT025-2-012	IT025-3-012	25	12.6VCT @ 2.0A	6.3V @ 4.0A
IT043-1-012	IT043-2-012	IT043-3-012	43	12.6VCT @ 3.4A	6.3V @ 6.8A
IT080-1-012	IT080-2-012	IT080-3-012	80	12.6VCT @ 6.3A	6.3V @ 12.6A
IT130-1-012	IT130-2-012	IT130-3-012	130	12.6VCT @ 10.3A	6.3V @ 20.6A
IT175-1-012	IT175-2-012	IT175-3-012	175	12.6VCT @ 14.0A	6.3V @ 28.0A
IT025-1-016	IT025-2-016	IT025-3-016	25	16VCT @ 1.6A	8V @ 3.2A
IT043-1-016	IT043-2-016	IT043-3-016	43	16VCT @ 2.7A	8V @ 5.4A
IT080-1-016	IT080-2-016	IT080-3-016	80	16VCT @ 5.0A	8V @ 10.0A
IT130-1-016	IT130-2-016	IT130-3-016	130	16VCT @ 8.1A	8V @ 16.2A
IT175-1-016	IT175-2-016	IT175-3-016	175	16VCT @ 11.0A	8V @ 22.0A
IT025-1-020	IT025-2-020	IT025-3-020	25	20VCT @ 1.25A	10V @ 2.5A
IT043-1-020	IT043-2-020	IT043-3-020	43	20VCT @ 2.2A	10V @ 4.4A
IT080-1-020	IT080-2-020	IT080-3-020	80	20VCT @ 4.0A	10V @ 8.0A
IT130-1-020	IT130-2-020	IT130-3-020	130	20VCT @ 6.5A	10V @ 13A
IT175-1-020	IT175-2-020	IT175-3-020	175	20VCT @ 8.8A	10V @ 17.6A
IT025-1-024	IT025-2-024	IT025-3-024	25	24VCT @ 1.0A	12V @ 2.0A
IT043-1-024	IT043-2-024	IT043-3-024	43	24VCT @ 1.8A	12V @ 3.6A
IT080-1-024	IT080-2-024	IT080-3-024	80	24VCT @ 3.3A	12V @ 6.6A
IT130-1-024	IT130-2-024	IT130-3-024	130	24VCT @ 5.4A	12V @ 10.8A
IT175-1-024	IT175-2-024	IT175-3-024	175	24VCT @ 7.3A	12V @ 14.6A
IT025-1-028	IT025-2-028	IT025-3-028	25	28VCT @ 0.9A	14V @ 1.8A
IT043-1-028	IT043-2-028	IT043-3-028	43	28VCT @ 1.5A	14V @ 3.0A
IT080-1-028	IT080-2-028	IT080-3-028	80	28VCT @ 2.8A	14V @ 5.6A
IT130-1-028	IT130-2-028	IT130-3-028	130	28VCT @ 4.6A	14V @ 9.2A
IT175-1-028	IT175-2-028	IT175-3-028	175	28VCT @ 6.25A	14V @ 12.5A
IT025-1-036	IT025-2-036	IT025-3-036	25	36VCT @ 0.7A	18V @ 1.4A
IT043-1-036	IT043-2-036	IT043-3-036	43	36VCT @ 1.2A	18V @ 2.4A
IT080-1-036	IT080-2-036	IT080-3-036	80	36VCT @ 2.2A	18V @ 4.4A
IT130-1-036	IT130-2-036	IT130-3-036	130	36VCT @ 3.6A	18V @ 7.2A
IT175-1-036	IT175-2-036	IT175-3-036	175	36VCT @ 4.8A	18V @ 9.6A
IT025-1-230	IT025-2-230	IT025-3-230	25	230VCT @ 0.11A	115V @ 0.22A
IT043-1-230	IT043-2-230	IT043-3-230	43	230VCT @ 0.19A	115V @ 0.38A
IT080-1-230	IT080-2-230	IT080-3-230	80	230VCT @ 0.35A	115V @ 0.70A
IT130-1-230	IT130-2-230	IT130-3-230	130	230VCT @ 0.57A	115V @ 1.14A
IT175-1-230	IT175-2-230	IT175-3-230	175	230VCT @ 0.76A	115V @ 1.52A

Over 166,000 additional! Admiral Class (Quick-Connect Terminals) model configurations available!

Refer to the Part Numbering Scheme on the next page to **configure your own part** with following options:

- Primary: 120V, 120/240V, 240V, 100/110/120V, 200/220/240V, 120/220/240V, 100/120/200/220/240V
- Secondary: 5V to 240V, in 1V increments
- Frequency: 50/60Hz, or economy 60Hz-only
- With or without current or thermal protector(s)
- Temperature Class: 130°C, or 200°C

Take advantage of these pre-designed models, or let us customize to your requirements. That's our specialty.



Sales Office :

300 W Factory Rd., Addison, IL 60101 • Ph: (630) 628-9999 • Fax: (630) 628-9922 • www.ensigncorp.com

Admiral Class — Quick-Connect Terminals



Examples:

IT025-2-824A = 25VA, Dual 120/240V (series/parallel) Primary, 50/60Hz, with 130°C thermal cutoff, Single 24V Secondary
 IT025-2-824XA = Same as above except Primary 115/230V



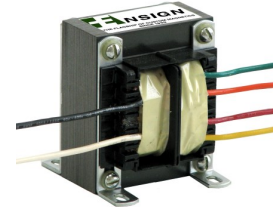
Chassis Mount with Terminals, International	ITXXX	-X	XXX	X	-X
<p>Rating:</p> <p>IT025 = 25VA</p> <p>IT043 = 43VA</p> <p>IT080 = 80VA</p> <p>IT130 = 130VA</p> <p>IT175 = 175VA</p>					
<p>Primary Voltages:</p> <p>-1 = 120</p> <p>-2 = 120/240 Dual (series / parallel)</p> <p>-3 = 240</p> <p>-4 = 100/110/120</p> <p>-6 = 200/220/240</p> <p>-7 = 120/220/240</p> <p>-8 = 100/120/200/220/240, unavailable on 25 & 43 VA models</p>					
<p>Secondary Voltages (10 through 240, in 1V Increments):</p> <p>010 through 240 = Dual Secondary (series / parallel) Number represents the voltage of the series connection. <i>Example: "024" = 12V (parallel) / 24V (series)</i></p> <p>510 through 740 = Center-tapped Secondary Number represents the total voltage plus 500. <i>Example: "524" = 24V with center-tap (12V on each side)</i></p> <p>810 through 1040 = Single Secondary Number represents the voltage plus 800. <i>Example: "824" = 24V</i></p>					
<p>Indication of Adjustment in Primary Voltage:</p> <p>Blank = 120V, 120/240V or 240V, as selected above</p> <p>X = Primary 115V instead of 120 and/or 230V instead of 240V</p>					
<p>Optional Internal Protector:</p> <p>Blank = No internal protector</p> <p>A through Z = Over-current and/or over-temperature protection (Contact for list of available protectors)</p>					

Take advantage of these pre-designed models, or let us customize to your requirements. That's our specialty.

Admiral Class – Lead Wires

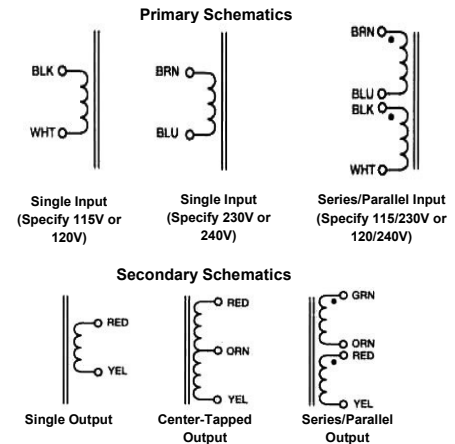
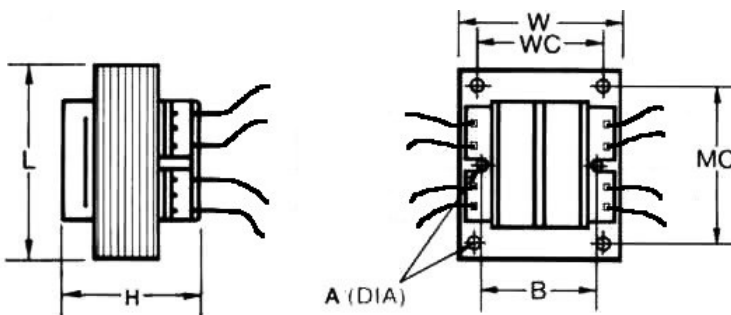
- Flame Retardant, UL 94V0 Rating
- High Efficiency
- 2.5VA to 56VA Power Rating
- Single or Dual Primary, 115V, 115/230V or 230V
(Optional 120, 120/240, 240, 120 with taps, 240 with taps, or 120/240 with taps)
- 50/60Hz (Economy 60Hz-only Models Available)
- Dual Secondary (Optional Single or Center-tapped)
- Any Secondary Voltage from 5V to 240V in 1V Increments
- Insulation Material 130°C Standard (Optional 200°C)
- Optional Internal Current or Thermal Protector
- High Isolation, 4000 Vrms, 100% Tested
- Color Coded Lead Wires, 6" Standard Length

Flame Retardant Material



Agency Approvals:

- UL/cUL 5085-2 Recognized (File E47299)
- UL 60950 Recognized (File E144070)
- VDE 0805 Licensed (File 19019-3336-9002/A1C)
- UL 1446 Recognized Insulation system (File E95662)



VA Rating		Secondary Voltage	Dimensions (Inches)						
			L	W	H	A	B	MC	WC
IL002	2.5VA	Parallel from 5V to 120V	1.62	1.31	1.12	0.125*	1.06	-	-
IL005	5VA		1.62	1.31	1.36	0.125*	1.06	-	-
IL010	10VA		1.87	1.56	1.36	0.150*	1.25	-	-
IL020	20VA	Series, single & center-tapped from 10V to 240V	2.25	1.87	1.64	0.156*	1.50	-	-
IL030	30VA		2.62	2.19	1.57	0.156**	-	2.18	1.75
IL056	56VA		3.00	2.50	1.82	0.218**	-	2.50	2.00

* = 2 holes, ** = 4 holes

Take advantage of these pre-designed models, or let us customize to your requirements. That's our specialty.



Partial Selection Guide (Standard Stock)

Part Number					
115V Primary	115/230V Primary	230V Primary	VA	Series Secondary	Parallel Secondary
IL002-1-010	IL002-2-010	IL002-3-010	2.5	10VCT @ 0.25A	5V @ 0.50A
IL005-1-010	IL005-2-010	IL005-3-010	5.0	10VCT @ 0.50A	5V @ 1.0A
IL010-1-010	IL010-2-010	IL010-3-010	10.0	10VCT @ 1.0A	5V @ 2.0A
IL020-1-010	IL020-2-010	IL020-3-010	20	10VCT @ 2.0A	5V @ 4.0A
IL030-1-010	IL030-2-010	IL030-3-010	30	10VCT @ 3.0A	5V @ 6.0A
IL056-1-010	IL056-2-010	IL056-3-010	56	10VCT @ 5.6A	5V @ 11.2A
IL002-1-012	IL002-2-012	IL002-3-012	2.5	12.6VCT @ 0.20A	6.3V @ 0.40A
IL005-1-012	IL005-2-012	IL005-3-012	5.0	12.6VCT @ 0.40A	6.3V @ 0.80A
IL010-1-012	IL010-2-012	IL010-3-012	10.0	12.6VCT @ 0.80A	6.3V @ 1.60A
IL020-1-012	IL020-2-012	IL020-3-012	20	12.6VCT @ 1.6A	6.3V @ 3.2A
IL030-1-012	IL030-2-012	IL030-3-012	30	12.6VCT @ 2.4A	6.3V @ 4.8A
IL056-1-012	IL056-2-012	IL056-3-012	56	12.6VCT @ 4.4A	6.3V @ 8.8A
IL002-1-016	IL002-2-016	IL002-3-016	2.5	16VCT @ 0.15A	8V @ 0.30A
IL005-1-016	IL005-2-016	IL005-3-016	5.0	16VCT @ 0.31A	8V @ 0.62A
IL010-1-016	IL010-2-016	IL010-3-016	10.0	16VCT @ 0.62A	8V @ 1.25A
IL020-1-016	IL020-2-016	IL020-3-016	20	16VCT @ 1.25A	8V @ 2.5A
IL030-1-016	IL030-2-016	IL030-3-016	30	16VCT @ 1.9A	8V @ 3.8A
IL056-1-016	IL056-2-016	IL056-3-016	56	16VCT @ 3.5A	8V @ 7.0A
IL002-1-020	IL002-2-020	IL002-3-020	2.5	20VCT @ 0.12A	10V @ 0.24A
IL005-1-020	IL005-2-020	IL005-3-020	5.0	20VCT @ 0.25A	10V @ 0.50A
IL010-1-020	IL010-2-020	IL010-3-020	10.0	20VCT @ 0.50A	10V @ 1.0A
IL020-1-020	IL020-2-020	IL020-3-020	20	20VCT @ 1.0A	10V @ 2.0A
IL030-1-020	IL030-2-020	IL030-3-020	30	20VCT @ 1.5A	10V @ 3.0A
IL056-1-020	IL056-2-020	IL056-3-020	56	20VCT @ 2.8A	10V @ 5.6A
IL002-1-024	IL002-2-024	IL002-3-024	2.5	24VCT @ 0.10A	12V @ 0.20A
IL005-1-024	IL005-2-024	IL005-3-024	5.0	24VCT @ 0.21A	12V @ 0.42A
IL010-1-024	IL010-2-024	IL010-3-024	10.0	24VCT @ 0.42A	12V @ 0.84A
IL020-1-024	IL020-2-024	IL020-3-024	20	24VCT @ 0.83A	12V @ 1.66A
IL030-1-024	IL030-2-024	IL030-3-024	30	24VCT @ 1.25A	12V @ 2.5A
IL056-1-024	IL056-2-024	IL056-3-024	56	24VCT @ 2.33A	12V @ 4.66A
IL002-1-028	IL002-2-028	IL002-3-028	2.5	28VCT @ 0.09A	14V @ 0.18A
IL005-1-028	IL005-2-028	IL005-3-028	5.0	28VCT @ 0.18A	14V @ 0.36A
IL010-1-028	IL010-2-028	IL010-3-028	10.0	28VCT @ 0.36A	14V @ 0.72A
IL020-1-028	IL020-2-028	IL020-3-028	20	28VCT @ 0.72A	14V @ 1.44A
IL030-1-028	IL030-2-028	IL030-3-028	30	28VCT @ 1.06A	14V @ 2.12A
IL056-1-028	IL056-2-028	IL056-3-028	56	28VCT @ 2.0A	14V @ 4.0A
IL002-1-036	IL002-2-036	IL002-3-036	2.5	36VCT @ 0.07A	18V @ 0.14A
IL005-1-036	IL005-2-036	IL005-3-036	5.0	36VCT @ 0.14A	18V @ 0.28A
IL010-1-036	IL010-2-036	IL010-3-036	10.0	36VCT @ 0.28A	18V @ 0.56A
IL020-1-036	IL020-2-036	IL020-3-036	20	36VCT @ 0.56A	18V @ 1.12A
IL030-1-036	IL030-2-036	IL030-3-036	30	36VCT @ 0.82A	18V @ 1.64A
IL056-1-036	IL056-2-036	IL056-3-036	56	36VCT @ 1.56A	18V @ 3.12A

Over 365,000 additional Admiral Class (Lead Wires) model configurations available!

Refer to the Part Numbering Scheme on page 36 to **configure your own part** with following options:

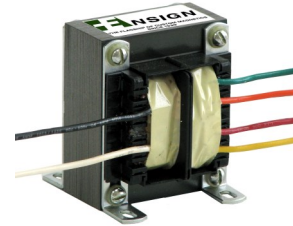
- Primary: 120V, 120/240V, 240V, 100/110/120V, 200/220/240V, 120/220/240V, 100/120/200/220/240V
- Secondary: 5V to 240V, in 1V increments
- Frequency: 50/60Hz, or economy 60Hz-only
- With or without current or thermal protector(s)

Take advantage of these pre-designed models, or let us customize to your requirements. That's our specialty.

Admiral Class – Lead Wires

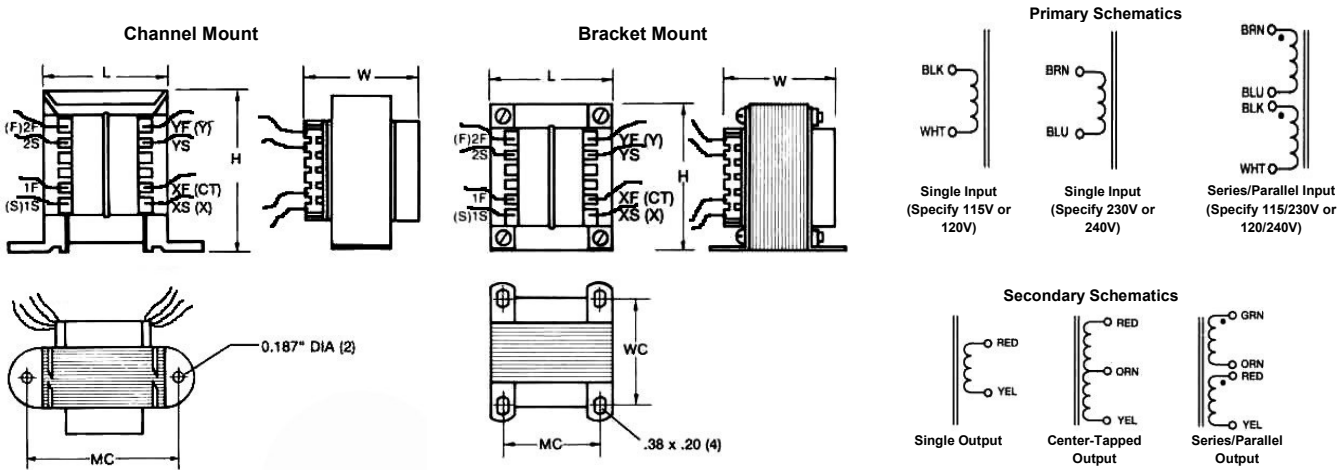
- Flame Retardant, UL 94V0 Rating
- High Efficiency
- 25VA to 175VA Power Rating
- **Single or Dual Primary, 115V, 115/230V or 230V**
(Optional 120, 120/240, 240, 120 with taps, 240 with taps, or 120/240 with taps)
- 50/60Hz (Economy 60Hz-only Models Available)
- **Dual Secondary** (Optional Single or Center-tapped)
- **Any Secondary Voltage from 5V to 240V in 1V Increments**
- **Insulation Material 130°C Standard** (Optional 200°C)
- **Optional Internal Current or Thermal Protector**
- **High Isolation, 4000 Vrms, 100% Tested**
- **Color Coded Lead Wires, 6" Standard Length**

Flame Retardant Material



Agency Approvals:

- UL/cUL 5085-2 Recognized (File E47299)
- UL 60950 Recognized (File E144070)
- VDE 0805 Licensed (File 19019-3336-9002/A1C)
- UL 1446 Recognized Insulation system (File E95662)



VA Rating		Secondary Voltage	Dimensions (Inches)					
			L	W	H	Mounting	MC	WC
IL025	25VA	Parallel from 5V to 120V	1.95	2.13	2.31	Channel	2.38	-
IL043	43VA		2.26	2.13	2.68	Channel	2.81	-
IL080	80VA		2.50	2.50	3.00	Brackets	2.00	2.25
IL130	130VA	Series, single & center-tapped from 10V to 240V	2.81	3.08	3.38	Brackets	2.25	2.50
IL175	175VA		3.12	3.12	3.75	Brackets	2.50	2.50

Take advantage of these pre-designed models, or let us customize to your requirements. That's our specialty.



Partial Selection Guide (Standard Stock)

Part Number					
115V Primary	115/230V Primary	230V Primary	VA	Series Secondary	Parallel Secondary
IL025-1-010	IL025-2-010	IL025-3-010	25	10VCT @ 2.5A	5V @ 5.0A
IL043-1-010	IL043-2-010	IL043-3-010	43	10VCT @ 4.3A	5V @ 8.6A
IL080-1-010	IL080-2-010	IL080-3-010	80	10VCT @ 8.0A	5V @ 16.0A
IL130-1-010	IL130-2-010	IL130-3-010	130	10VCT @ 13.0A	5V @ 26.0A
IL175-1-010	IL175-2-010	IL175-3-010	175	10VCT @ 17.5A	5V @ 35.0A
IL025-1-012	IL025-2-012	IL025-3-012	25	12.6VCT @ 2.0A	6.3V @ 4.0A
IL043-1-012	IL043-2-012	IL043-3-012	43	12.6VCT @ 3.4A	6.3V @ 6.8A
IL080-1-012	IL080-2-012	IL080-3-012	80	12.6VCT @ 6.4A	6.3V @ 12.8A
IL130-1-012	IL130-2-012	IL130-3-012	130	12.6VCT @ 10.3A	6.3V @ 20.6A
IL175-1-012	IL175-2-012	IL175-3-012	175	12.6VCT @ 14.0A	6.3V @ 28.0A
IL025-1-016	IL025-2-016	IL025-3-016	25	16VCT @ 1.6A	8V @ 3.2A
IL043-1-016	IL043-2-016	IL043-3-016	43	16VCT @ 2.7A	8V @ 5.4A
IL080-1-016	IL080-2-016	IL080-3-016	80	16VCT @ 5.0A	8V @ 10.0A
IL130-1-016	IL130-2-016	IL130-3-016	130	16VCT @ 8.12A	8V @ 16.2A
IL175-1-016	IL175-2-016	IL175-3-016	175	16VCT @ 11.0A	8V @ 22.0A
IL025-1-020	IL025-2-020	IL025-3-020	25	20VCT @ 1.25A	10V @ 2.5A
IL043-1-020	IL043-2-020	IL043-3-020	43	20VCT @ 2.15A	10V @ 4.30A
IL080-1-020	IL080-2-020	IL080-3-020	80	20VCT @ 4.0A	10V @ 8.0A
IL130-1-020	IL130-2-020	IL130-3-020	130	20VCT @ 6.5A	10V @ 13.0A
IL175-1-020	IL175-2-020	IL175-3-020	175	20VCT @ 8.75A	10V @ 17.5A
IL025-1-024	IL025-2-024	IL025-3-024	25	24VCT @ 1.0A	12V @ 2.0A
IL043-1-024	IL043-2-024	IL043-3-024	43	24VCT @ 1.8A	12V @ 3.6A
IL080-1-024	IL080-2-024	IL080-3-024	80	24VCT @ 3.3A	12V @ 6.6A
IL130-1-024	IL130-2-024	IL130-3-024	130	24VCT @ 5.4A	12V @ 10.8A
IL175-1-024	IL175-2-024	IL175-3-024	175	24VCT @ 7.3A	12V @ 14.6A
IL025-1-028	IL025-2-028	IL025-3-028	25	28VCT @ 0.9A	14V @ 1.8A
IL043-1-028	IL043-2-028	IL043-3-028	43	28VCT @ 1.5A	14V @ 3.0A
IL080-1-028	IL080-2-028	IL080-3-028	80	28VCT @ 2.85A	14V @ 5.7A
IL130-1-028	IL130-2-028	IL130-3-028	130	28VCT @ 4.6A	14V @ 9.2A
IL175-1-028	IL175-2-028	IL175-3-028	175	28VCT @ 6.25A	14V @ 12.5A
IL025-1-036	IL025-2-036	IL025-3-036	25	36VCT @ 0.7A	18V @ 1.4A
IL043-1-036	IL043-2-036	IL043-3-036	43	36VCT @ 1.2A	18V @ 2.4A
IL080-1-036	IL080-2-036	IL080-3-036	80	36VCT @ 2.2A	18V @ 4.4A
IL130-1-036	IL130-2-036	IL130-3-036	130	36VCT @ 3.6A	18V @ 7.2A
IL175-1-036	IL175-2-036	IL175-3-036	175	36VCT @ 4.9A	18V @ 9.8A

Over 365,000 additional Admiral Class (Lead Wires) model configurations available!

Refer to the Part Numbering Scheme on the next page to **configure your own part** with following options:

- Primary: 120V, 120/240V, 240V, 100/110/120V, 200/220/240V, 120/220/240V, 100/120/200/220/240V
- Secondary: 5V to 240V, in 1V increments
- Frequency: 50/60Hz, or economy 60Hz-only
- With or without current or thermal protector(s)
- Temperature Class: 130°C, or 200°C

Take advantage of these pre-designed models, or let us customize to your requirements. That's our specialty.

Admiral Class – Lead Wires

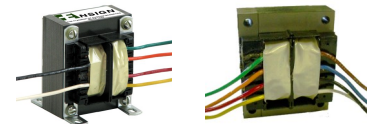


Examples:

IL056-2-824A = 56VA, Dual 120/240V (series/parallel) Primary, 50/60Hz, with 130°C thermal cutoff,

Single 24V secondary

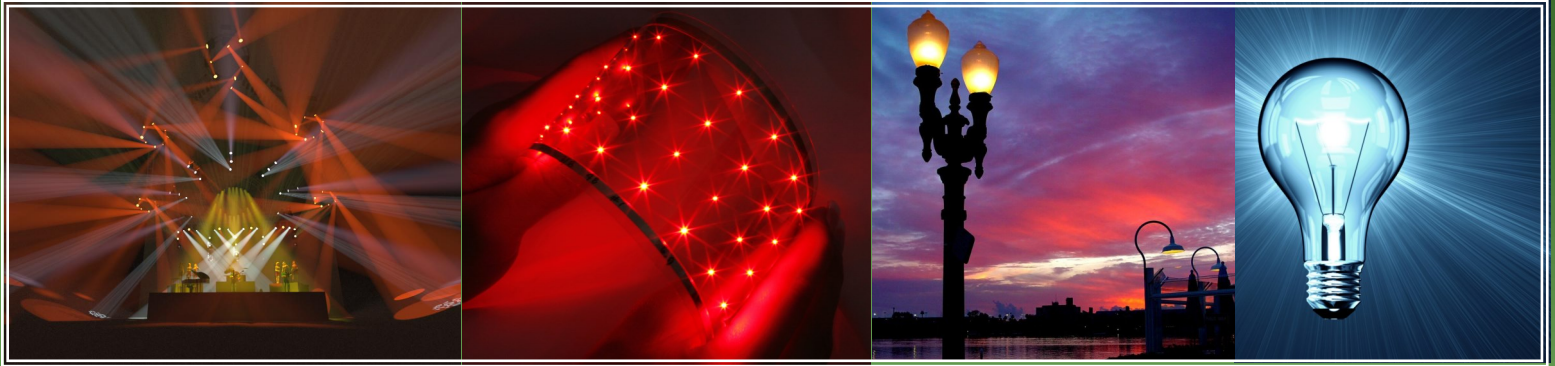
IL056-2-824XA = Same as above except Primary 115/230V



Chassis Mount with Lead Wires, International	ILXXX	-X	XXX	X	-X
<p>Rating:</p> <p>IL002 = 2.5VA IL043 = 43VA</p> <p>IL005 = 5VA IL056 = 56VA</p> <p>IL010 = 10VA IL080 = 80VA</p> <p>IL020 = 20VA IL130 = 130VA</p> <p>IL025 = 25VA IL175 = 175VA</p> <p>IL030 = 30VA</p>					
<p>Primary Voltages:</p> <p>-1 = 120</p> <p>-2 = 120/240 Dual (series / parallel)</p> <p>-3 = 240</p> <p>-4 = 100/110/120</p> <p>-6 = 200/220/240</p> <p>-7 = 120/220/240</p> <p>-8 = 100/120/200/220/240</p>					
<p>Secondary Voltages (10 through 240, in 1V Increments):</p> <p>010 through 240 = Dual Secondary (series / parallel) Number represents the voltage of the series connection. <i>Example: "024" = 12V (parallel) / 24V (series)</i></p> <p>510 through 740 = Center-tapped Secondary Number represents the total voltage plus 500. <i>Example: "524" = 24V with center-tap (12V on each side)</i></p> <p>810 through 1040 = Single Secondary Number represents the voltage plus 800. <i>Example: "824" = 24V</i></p>					
<p>Indication of Adjustment in Primary Voltage:</p> <p>Blank = 120V, 120/240V or 240V, as selected above</p> <p>X = Primary 115V instead of 120 and/or 230V instead of 240V</p>					
<p>Optional Internal Protector</p> <p>Blank = No internal protector</p> <p>A through Z = Over-current and/or over-temperature protection (Contact for list of available protectors)</p>					

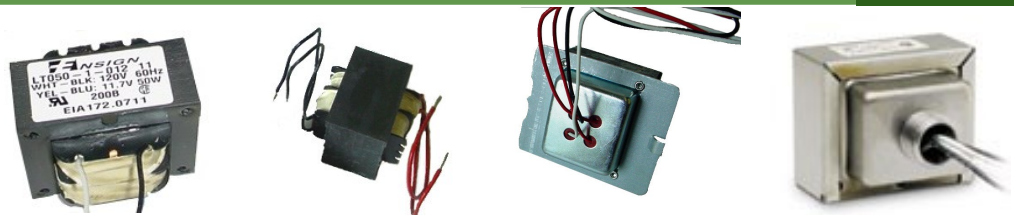
Take advantage of these pre-designed models, or let us customize to your requirements. That's our specialty.

Lighting the way.



Lighting Transformers

- Designed specifically for 12V halogen lamps
- UL/cUL/CSA approved
- Insulation class 130°C or 200°C
- Several mounting styles available



Low Voltage (12V) Lighting

- **UL 506 Recognized Components** (File E47299)
- **UL 1446 Recognized 200°C Insulation Systems** (File E95662)
(Economy 130°C Insulation Systems Available)
- **CSA C22.2 #66 Certified** (LR 28959)
(Some models are cUL Recognized for Canada instead of CSA Certified)
- **100% Hi-Pot Tested 2500V**
- **75-Watt and 50-Watt Models**
- **Voltage Regulation Specifically Designed for 12V Halogen Lamps**
- **Color Coded Lead Wires, 6" Standard Length**
- **60Hz Operation**
- **Channel Frame Mounting Standard**

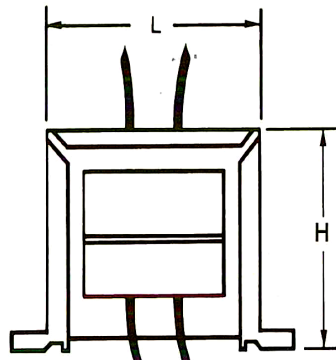
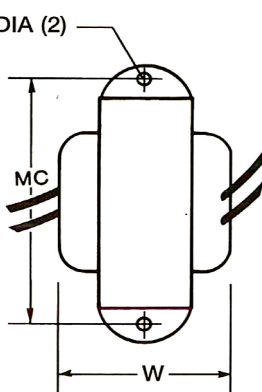


Available Options covered by UL/CSA Approvals:

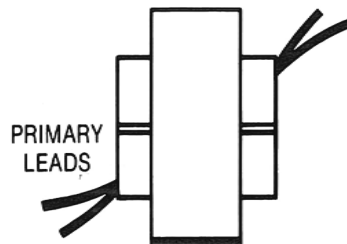
- **Single, Tapped, or Series/Parallel Input Configurations**
- **Flame Retardant Materials**
- **Optional Internal Current or Thermal Protectors**
- **Choice of Mounting Hardware (Brackets, Endbells, etc.), or No Hardware**



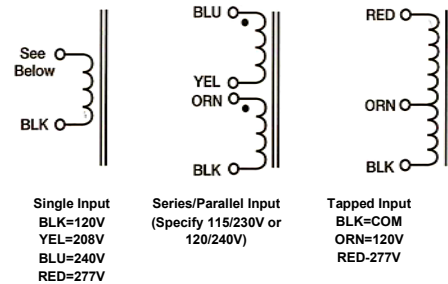
0.187 DIA (2)



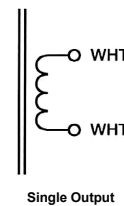
SECONDARY LEADS



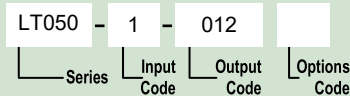
Primary Schematics



Secondary Schematics



EXAMPLE PART NUMBER:



Series	Output Rating	Output Voltage	Dimensions (Inches)			
			L	W	H	MC Standard
LT050	50 WATTS	All models supply 11.7VAC NOM output, allowing the halogen bulbs to produce the full color spectrum. Outputs are limited to 12.0V MAX in order to prolong bulb life.	2.70	2.13	2.50 MAX	3.13
LT075	75 WATTS		3.06	2.25	2.60 MAX	3.56

Take advantage of these pre-designed models, or let us customize to your requirements. That's our specialty.

Ensign	PowerVolt	Signal	Prem	Stancor	Tamura	Microtran	Triad	Hammond	Thordarson	Premier	MCI	Zettler	Wabash
P001-1-010	SZ2-10	ST2-10	SPW-350-S	SW 210	3FS-210	PSS 2-10	F 10-110	164D10	MIM321	PSB-101	4-01-2010	AH20010	PSH-11-10
P002-1-010	SZ3-10	ST3-10	SPW-400-S	SW 310	3FS-310	PSS 3-10	F 10-250	164E10	MIM421	PSB-102	4-01-3010	AH30010	PSH-24-10
P006-1-010	SZ4-10	ST4-10	SPW-500-S	SW 410	3FS-410	PSS 4-10	F 10-600	164F10	MIM521	PSB-106	4-01-4010	AH40010	PSH-06-10
P012-1-010	SZ5-10	ST5-10	SPW-600-S	SW 510	3FS-510	PSS 5-10	F 10-1200	164G10	MIM621	PSB-1012	4-01-5010	AH50010	PSH-12-10
P020-1-010	SZ6-10	ST6-10	SPW-610-S	SW 610	NA	NA	F 10-2000	164H10	MIM720	PSB-1020	4-01-6010	AH60010	PSH-20-10
P036-1-010	SZ7-10	ST7-10	SPW-620-S	NA	NA	NA	F 10-3600	164J10	MIM820	PSB-1036	4-01-7010	NA	PSH-36-10
P001-1-012	SZ2-12	ST2-12	SPW-351-S	SW 212	3FS-212	PSS 2-12	F 12-090	164D12	MIM323	PSB-121	4-01-2012	AH20012	PSH-11-12
P002-1-012	SZ3-12	ST3-12	SPW-401-S	SW 312	3FS-312	PSS 3-12	F 12-200	164E12	MIM423	PSB-122	4-01-3012	AH30012	PSH-24-12
P006-1-012	SZ4-12	ST4-12	SPW-501-S	SW 412	3FS-412	PSS 4-12	F 12-500	164F12	MIM523	PSB-126	4-01-4012	AH40012	PSH-06-12
P012-1-012	SZ5-12	ST5-12	SPW-601-S	SW 512	3FS-512	PSS 5-12	F 12-1000	164G12	MIM623	PSB-1212	4-01-5012	AH50012	PSH-12-12
P020-1-012	SZ6-12	ST6-12	SPW-611-S	SW 612	NA	NA	F 12-1600	164H12	MIM722	PSB-1220	4-01-6012	AH60012	PSH-20-12
P036-1-012	SZ7-12	ST7-12	SPW-621-S	NA	NA	NA	F 12-2850	164J12	MIM822	PSB-1236	4-01-7012	NA	PSH-36-12
P001-1-016	SZ2-16	ST2-16	SPW-352-S	SW 216	3FS-216	PSS 2-16	F 16-070	164D16	MIM325	PSB-161	4-01-2016	AH20016	PSH-11-16
P002-1-016	SZ3-16	ST3-16	SPW-402-S	SW 316	3FS-316	PSS 3-16	F 16-150	164E16	MIM425	PSB-162	4-01-3016	AH30016	PSH-24-16
P006-1-016	SZ4-16	ST4-16	SPW-502-S	SW 416	3FS-416	PSS 4-16	F 16-400	164F16	MIM525	PSB-166	4-01-4016	AH40016	PSH-06-16
P012-1-016	SZ5-16	ST5-16	SPW-602-S	SW 516	3FS-516	PSS 5-16	F 16-800	164G16	MIM625	PSB-1612	4-01-5016	AH50016	PSH-12-16
P020-1-016	SZ6-16	ST6-16	SPW-612-S	SW 616	NA	NA	F 16-1250	164H16	MIM724	PSB-1620	4-01-6016	AH60016	PSH-20-16
P036-1-016	SZ7-16	ST7-16	SPW-622-S	NA	NA	NA	F 16-2250	164J16	MIM824	PSB-1636	4-01-7016	NA	PSH-36-16
P001-1-020	SZ2-20	ST2-20	SPW-353-S	SW 220	3FS-220	PSS 2-20	F 20-055	164D20	MIM327	PSB-201	4-01-2020	AH20020	PSH-11-20
P002-1-020	SZ3-20	ST3-20	SPW-403-S	SW 320	3FS-320	PSS 3-20	F 20-120	164E20	MIM427	PSB-202	4-01-3020	AH30020	PSH-24-20
P006-1-020	SZ4-20	ST4-20	SPW-503-S	SW 420	3FS-420	PSS 4-20	F 20-300	164F20	MIM527	PSB-206	4-01-4020	AH40020	PSH-06-20
P012-1-020	SZ5-20	ST5-20	SPW-603-S	SW 520	3FS-520	PSS 5-20	F 20-600	164G20	MIM627	PSB-2012-D	4-01-5020	AH50020	PSH-12-20
P020-1-020	SZ6-20	ST6-20	SPW-613-S	SW 620	NA	NA	F 20-1000	164H20	MIM726	PSB-2020	4-01-6020	AH60020	PSH-20-20
P036-1-020	SZ7-20	ST7-20	SPW-623-S	NA	NA	NA	F 20-1800	164J20	MIM826	PSB-2036	4-01-7020	NA	PSH-36-20
P001-1-024	SZ2-24	ST2-24	SPW-354-S	SW 224	3FS-224	PSS 2-24	F 24-045	164D24	MIM329	PSB-241	4-01-2024	AH20024	PSH-11-24
P002-1-024	SZ3-24	ST3-24	SPW-404-S	SW 324	3FS-324	PSS 3-24	F 24-100	164E24	MIM429	PSB-242	4-01-3024	AH30024	PSH-24-24
P006-1-024	SZ4-24	ST4-24	SPW-504-S	SW 424	3FS-424	PSS 4-24	F 24-250	164F24	MIM829	PSB-246	4-01-4024	AH40024	PSH-06-24
P012-1-024	SZ5-24	ST5-24	SPW-604-S	SW 524	3FS-524	PSS 5-24	F 24-500	164G24	MIM629	PSB-2412	4-01-5024	AH50024	PSH-12-24
P020-1-024	SZ6-24	ST6-24	SPW-614-S	SW 624	NA	NA	F 24 800	164H24	MIM728	PSB-2420	4-01-6024	AH60024	PSH-20-24
P036-1-024	SZ7-24	ST7-24	SPW-624-S	NA	NA	NA	F 24-1500	164J24	MIM828	PSB-2436	4-01-7024	NA	PSH-36-24
P001-1-028	SZ2-28	ST2-28	SPW-355-S	SW 228	3FS-228	PSS 2-28	F 28-040	164D28	MIM331	PSB-281	4-01-2028	AH20028	PSH-11-28
P002-1-028	SZ3-28	ST3-28	SPW-405-S	SW 328	3FS-328	PSS 3-28	F 28-85	164E28	MIM431	PSB-282	4-01-3028	AH30028	PSH-24-28
P006-1-028	SZ4-28	ST4-28	SPW-505-S	SW 428	3FS-428	PSS 4-28	F 28-200	164F28	MIM531	PSB-286	4-04-4028	AH40028	PSH-06-28
P012-1-028	SZ5-28	ST5-28	SPW-605-S	SW 528	3FS-528	PSS 5-28	F 28-420	164G28	MIM631	PSB-2812	4-01-5028	AH50028	PSH-12-28
P020-1-028	SZ6-28	ST6-28	SPW-615-S	SW 628	NA	NA	F 28-700	164H28	MIM730	PSB-2820	4-01-6028	AH60028	PSH-20-28
P036-1-028	SZ7-28	ST7-28	SPW-625-S	NA	NA	NA	F 28-1300	164J28	MIM830	PSB-3636	4-01-7028	NA	PSH-36-28
P001-1-036	SZ2-36	ST2-36	SPW-356-S	SW 236	3FS-236	PSS 2-36	F 36-030	164D36	MIM333	PSB-361	4-01-2036	AH20036	PSH-11-36
P002-1-036	SZ3-36	ST3-36	SPW-406-S	SW 336	3FS-336	PSS 3-36	F 36-65	164E36	MIM433	PSB-362	4-01-3036	AH30036	PSH-24-36
P006-1-036	SZ4-36	ST4-36	SPW-506-S	SW 436	3FS-436	PSS 4-36	F 36-170	164F36	MIM533	PSB-366	4-01-4036	AH40036	PSH-06-36
P012-1-036	SZ5-36	ST5-36	SPW-606-S	SW 536	3FS-536	PSS 5-36	F 36-350	164G36	MIM633	PSB-3612	4-01-5036	AH50036	PSH-12-36
P020-1-036	SZ6-36	ST6-36	SPW-616-S	SW 636	NA	NA	F 36-550	164H36	MIM732	PSB-3620	4-01-6036	AH60036	PSH-20-36
P036-1-036	SZ7-36	ST7-36	SPW-626-S	NA	NA	NA	F 36-1000	164J36	MIM832	PSB-3636	4-01-7036	NA	PSH-36-36
P001-1-048	SZ2-48	ST2-48	SPW-357-S	SW 248	3FS-248	PSS 2-48	F 48-023	164D48	MIM335	PSB-481	4-01-2048	AH20048	PSH-11-48
P002-1-048	SZ3-48	ST3-48	SPW-407-S	SW 348	3FS-348	PSS 3-48	F 48-050	164E48	MIM435	PSB-482	4-01-3048	AH30048	PSH-24-48
P006-1-048	SZ4-48	ST4-48	SPW-507-S	SW 448	3FS-448	PSS 4-48	F 48-125	164F48	MIM535	PSB-486	4-01-4048	AH40048	PSH-06-48
P012-1-048	SZ5-48	ST5-48	SPW-607-S	SW 548	3FS-548	PSS 5-48	F 48-250	164G48	MIM635	PSB-4812	4-01-5048	AH50048	PSH-12-48
P020-1-048	SZ6-48	ST6-48	SPW-617-S	SW 648	NA	NA	F 48-400	164H48	MIM734	PSB-4820	4-01-6048	AH60048	PSH-20-48
P036-1-048	SZ7-48	ST7-48	SPW-627-S	NA	NA	NA	F 48-750	164J48	MIM834	PSB-4836	4-01-7048	NA	PSH-36-48
P001-1-056	SZ2-56	ST2-56	SPW-358-S	SW 256	3FS-256	PSS 2-56	F 56-020	164D56	MIM337	PSB-561	4-01-2056	AH20056	PSH-11-56
P002-1-056	SZ3-56	ST3-56	SPW-408-S	SW 356	3FS-356	PSS 3-56	F 56-045	164E56	MIM437	PSB-562	4-01-3056	AH30056	PSH-24-56
P006-1-048	SZ4-56	ST4-56	SPW-508-S	SW 456	3FS-456	PSS 4-56	F 56-110	164F56	MIM537	PSB-566	4-01-4056	AH40056	PSH-06-56
P012-1-048	SZ5-56	ST5-56	SPW-608-S	SW 556	3FS-556	PSS 5-56	F 56-220	164G56	MIM637	PSB-5612	4-01-5056	AH50056	PSH-12-56
P020-1-048	SZ6-56	ST6-56	SPW-618-S	SW 656	NA	NA	F 56-350	164H56	MIM736	PSB-5620	4-01-6056	AH60056	PSH-20-56
P036-1-048	SZ7-56	ST7-56	SPW-628-S	NA	NA	NA	F 56-650	164J56	MIM836	PSB-5636	4-01-7056	NA	PSH-36-56
P001-1-120	SZ2-120	ST2-120	SPW-359-S	SW 2120	3FS-2120	PSS 2-120	F 120-010	164D120	MIM339	PSB-1201	4-01-2120	AH200120	PSH-11-120
P002-1-120	SZ3-120	ST3-120	SPW-409-S	SW 3120	3FS-3120	PSS 3-120	F 120-020	164E120	MIM439	PSB-1202	4-01-3120	AH300120	PSH-24-120
P006-1-120	SZ4-120	ST4-120	SPW-509-S	SW 4120	3FS-4120	PSS 4-120	F 120-050	164F120	MIM539	PSB-1206	4-01-4120	AH400120	PSH-06-120
P012-1-120	SZ5-120	ST5-120	SPW-609-S	SW 5120	3FS-5120	PSS 5-120	F 120-100	164G120	MIM639	PSB-12012	4-01-5120	AH500120	PSH-12-120
P020-1-120	SZ6-120	ST6-120	SPW-619-S	SW 6120	NA	NA	F 120-160	164H120	MIM738	PSB-12020	4-01-6120	AH600120	PSH-20-120
P036-1-120	SZ7-120	ST7-120	SPW-629-S	NA	NA	NA	F 120-300	164J120	MIM838	PSB-12036	4-01-7120	NA	PSH-36-120

Cross References

Ensign	PowerVolt	Signal	Prem	Stancor	Tamura	Microtran	Triad	Hammond	Thordarson	Premier	MCI	Zettler	Wabash
P001-2-010	DSZ2-10	DST2-10	SPW-350-D	DSW 210	3FD-210	PSD 2-10	FS 10-110	162D10	MIM320	PSB-101D	4-02-2010	ADH20010	PDH-11-10
P002-2-010	DSZ3-10	DST3-10	SPW-400-D	DSW 310	3FD-310	PSD 3-10	FS 10-250	162E10	MIM420	PSB-102D	4-02-3010	ADH30010	PDH-24-10
P006-2-010	DSZ4-10	DST4-10	SPW-500-D	DSW 410	3FD-410	PSD 4-10	FS 10-600	162F10	MIM520	PSB-106D	4-02-4010	ADH40010	PDH-06-10
P012-2-010	DSZ5-10	DST5-10	SPW-600-D	DSW 510	3FD-510	PSD 5-10	FS 10-1200	162G10	MIM620	PSB-1012D	4-02-5010	ADH50010	PDH-12-10
P020-2-010	DSZ6-10	DST6-10	SPW-610-D	DSW 610	NA	NA	FS 10-2000	162H10	MIM721	PSB-1020D	4-02-6010	ADH60010	PDH-20-10
P036-2-010	DSZ7-10	DST7-10	SPW-620-D	NA	NA	NA	FS 10-3600	162J10	MIM821	PSB-1036D	4-02-7010	NA	PDH-36-10
P001-2-012	DSZ2-12	DST2-12	SPW-351-D	DSW 212	3FD-212	PSD 2-12	FS 12-090	162D12	MIM322	PSB-121D	4-02-2012	ADH20012	PDH-11-12
P002-2-012	DSZ3-12	DST3-12	SPW-401-D	DSW 312	3FD-312	PSD 3-12	FS 12-200	162E12	MIM422	PSB-122D	4-02-3012	ADH30012	PDH-24-12
P006-2-012	DSZ4-12	DST4-12	SPW-501-D	DSW 412	3FD-412	PSD 4-12	FS 12-500	162F12	MIM522	PSB-126D	4-02-4012	ADH40012	PDH-06-12
P012-2-012	DSZ5-12	DST5-12	SPW-601-D	DSW 512	3FD-512	PSD 5-12	FS 12-1000	162G12	MIM622	PSB-1212D	4-02-5012	ADH50012	PDH-12-12
P020-2-012	DSZ6-12	DST6-12	SPW-611-D	DSW 612	NA	NA	FS 12-1600	162H12	MIM723	PSB-1220D	4-02-6012	ADH60012	PDH-20-12
P036-2-012	DSZ7-12	DST7-12	SPW-621-D	NA	NA	NA	FS 12-2850	162J12	MIM823	PSB-1236D	4-02-7012	NA	PDH-36-12
P001-2-016	DSZ2-16	DST2-16	SPW-352-D	DSW 216	3FD-216	PSD 2-16	FS 16-070	162D16	MIM324	PSB-161D	4-02-2016	ADH20016	PDH-11-16
P002-2-016	DSZ3-16	DST3-16	SPW-402-D	DSW 316	3FD-316	PSD 3-16	FS 16-150	162E16	MIM424	PSB-162D	4-02-3016	ADH30016	PDH-24-16
P006-2-016	DSZ4-16	DST4-16	SPW-502-D	DSW 416	3FD-416	PSD 4-16	FS 16-400	162F16	MIM524	PSB-166D	4-02-4016	ADH40016	PDH-06-16
P012-2-016	DSZ5-16	DST5-16	SPW-602-D	DSW 516	3FD-516	PSD 5-16	FS 16-800	162G16	MIM624	PSB-1612D	4-02-5016	ADH50016	PDH-12-16
P020-2-016	DSZ6-16	DST6-16	SPW-612-D	DSW 616	NA	NA	FS 16-1250	162H16	MIM725	PSB-1620D	4-02-6016	ADH60016	PDH-20-16
P036-2-016	DSZ7-16	DST7-16	SPW-622-D	NA	NA	NA	FS 16-2250	162J16	MIM825	PSB-1636D	4-02-7016	NA	PDH-36-16
P001-2-020	DSZ2-20	DST2-20	SPW-353-D	DSW 220	3FD-220	PSD 2-20	FS 20-055	162D20	MIM326	PSB-201D	4-02-2020	ADH20020	PDH-11-20
P002-2-020	DSZ3-20	DST3-20	SPW-403-D	DSW 320	3FD-320	PSD 3-20	FS 20-120	162E20	MIM426	PSB-202D	4-02-3020	ADH30020	PDH-24-20
P006-2-020	DSZ4-20	DST4-20	SPW-503-D	DSW 420	3FD-420	PSD 4-20	FS 20-300	162F20	MIM526	PSB-206D	4-02-4020	ADH40020	PDH-06-20
P012-2-020	DSZ5-20	DST5-20	SPW-603-D	DSW 520	3FD-520	PSD 5-20	FS 20-600	162G20	MIM626	PSB-2012D	4-02-5020	ADH50020	PDH-12-20
P020-2-020	DSZ6-20	DST6-20	SPW-613-D	DSW 620	NA	NA	FS 20-1000	162H20	MIM727	PSB-2020D	4-02-6020	ADH60020	PDH-20-20
P036-2-020	DSZ7-20	DST7-20	SPW-623-D	NA	NA	NA	FS 20-1800	162J20	MIM827	PSB-2036D	4-02-7020	NA	PDH-36-20
P001-2-024	DSZ2-24	DST2-24	SPW-354-D	DSW 224	3FD-224	PSD 2-24	FS 24-045	162D24	MIM328	PSB-241D	4-02-2024	ADH20024	PDH-11-24
P002-2-024	DSZ3-24	DST3-24	SPW-404-D	DSW 324	3FD-324	PSD 3-24	FS 24-100	162E24	MIM428	PSB-242D	4-02-3024	ADH30024	PDH-24-24
P006-2-024	DSZ4-24	DST4-24	SPW-504-D	DSW 424	3FD-424	PSD 4-24	FS 24-250	162F24	MIM528	PSB-246D	4-02-4024	ADH40024	PDH-06-24
P012-2-024	DSZ5-24	DST5-24	SPW-604-D	DSW 524	3FD-524	PSD 5-24	FS 24-500	162G24	MIM628	PSB-2412D	4-02-5024	ADH50024	PDH-12-24
P020-2-024	DSZ6-24	DST6-24	SPW-614-D	DSW 624	NA	NA	FS 24 800	162H24	MIM729	PSB-2420D	4-02-6024	ADH60024	PDH-20-24
P036-2-024	DSZ7-24	DST7-24	SPW-624-D	NA	NA	NA	FS 24-1500	162J24	MIM829	PSB-2436D	4-02-7024	NA	PDH-36-24
P001-2-028	DSZ2-28	DST2-28	SPW-355-D	DSW 228	3FD-228	PSD 2-28	FS 28-040	162D28	MIM330	PSB-281D	4-02-2028	ADH20028	PDH-11-28
P002-2-028	DSZ3-28	DST3-28	SPW-405-D	DSW 328	3FD-328	PSD 3-28	FS 28-85	162E28	MIM430	PSB-282D	4-02-3028	ADH30028	PDH-24-28
P006-2-028	DSZ4-28	DST4-28	SPW-505-D	DSW 428	3FD-428	PSD 4-28	FS 28-200	162F28	MIM530	PSB-286D	4-02-4028	ADH40028	PDH-06-28
P012-2-028	DSZ5-28	DST5-28	SPW-605-D	DSW 528	3FD-528	PSD 5-28	FS 28-420	162G28	MIM630	PSB-2812D	4-02-5028	ADH50028	PDH-12-28
P020-2-028	DSZ6-28	DST6-28	SPW-615-D	DSW 628	NA	NA	FS 28-700	162H28	MIM731	PSB-2820D	4-02-6028	ADH60028	PDH-20-28
P036-2-028	DSZ7-28	DST7-28	SPW-625-D	NA	NA	NA	FS 28-1300	162J28	MIM831	PSB-3636D	4-02-7028	NA	PDH-36-28
P001-2-036	DSZ2-36	DST2-36	SPW-356-D	DSW 236	3FD-236	PSD 2-36	FS 36-030	162D36	MIM332	PSB-361D	4-02-2036	ADH20036	PDH-11-36
P002-2-036	DSZ3-36	DST3-36	SPW-406-D	DSW 336	3FD-336	PSD 3-36	FS 36-65	162E36	MIM432	PSB-362D	4-02-3036	ADH30036	PDH-24-36
P006-2-036	DSZ4-36	DST4-36	SPW-506-D	DSW 436	3FD-436	PSD 4-36	FS 36-170	162F36	MIM532	PSB-366D	4-02-4036	ADH40036	PDH-06-36
P012-2-036	DSZ5-36	DST5-36	SPW-606-D	DSW 536	3FD-536	PSD 5-36	FS 36-350	162G36	MIM632	PSB-3612D	4-02-5036	ADH50036	PDH-12-36
P020-2-036	DSZ6-36	DST6-36	SPW-616-D	DSW 636	NA	NA	FS 36-550	162H36	MIM733	PSB-3620D	4-02-6036	ADH60036	PDH-20-36
P036-2-036	DSZ7-36	DST7-36	SPW-626-D	NA	NA	NA	FS 36-1000	162J36	MIM833	PSB-3636D	4-02-7036	NA	PDH-36-36
P001-2-048	DSZ2-48	DST2-48	SPW-357-D	DSW 248	3FD-248	PSD 2-48	FS 48-023	162D48	MIM334	PSB-481D	4-02-2048	ADH20048	PDH-11-48
P002-2-048	DSZ3-48	DST3-48	SPW-407-D	DSW 348	3FD-348	PSD 3-48	FS 48-050	162E48	MIM434	PSB-482D	4-02-3048	ADH30048	PDH-24-48
P006-2-048	DSZ4-48	DST4-48	SPW-507-D	DSW 448	3FD-448	PSD 4-48	FS 48-125	162F48	MIM534	PSB-486D	4-02-4048	ADH40048	PDH-06-48
P012-2-048	DSZ5-48	DST5-48	SPW-607-D	DSW 548	3FD-548	PSD 5-48	FS 48-250	162G48	MIM634	PSB-4812D	4-02-5048	ADH50048	PDH-12-48
P020-2-048	DSZ6-48	DST6-48	SPW-617-D	DSW 648	NA	NA	FS 48-400	162H48	MIM735	PSB-4820D	4-02-6048	ADH60048	PDH-20-48
P036-2-048	DSZ7-48	DST7-48	SPW-627-D	NA	NA	NA	FS 48-750	162J48	MIM835	PSB-4836D	4-02-7048	NA	PDH-36-48
P001-2-056	DSZ2-56	DST2-56	SPW-358-D	DSW 256	3FD-256	PSD 2-56	FS 56-020	162D56	MIM336	PSB-561D	4-02-2056	ADH20056	PDH-11-56
P002-2-056	DSZ3-56	DST3-56	SPW-408-D	DSW 356	3FD-356	PSD 3-56	FS 56-045	162E56	MIM436	PSB-562D	4-02-3056	ADH30056	PDH-24-56
P006-2-048	DSZ4-56	DST4-56	SPW-508-D	DSW 456	3FD-456	PSD 4-56	FS 56-110	162F56	MIM536	PSB-566D	4-02-4056	ADH40056	PDH-06-56
P012-2-048	DSZ5-56	DST5-56	SPW-608-D	DSW 556	3FD-556	PSD 5-56	FS 56-220	162G56	MIM636	PSB-5612D	4-02-5056	ADH50056	PDH-12-56
P020-2-048	DSZ6-56	DST6-56	SPW-618-D	DSW 656	NA	NA	FS 56-350	162H56	MIM737	PSB-5620D	4-02-6056	ADH60056	PDH-20-56
P036-2-048	DSZ7-56	DST7-56	SPW-628-D	NA	NA	NA	FS 56-650	162J56	MIM837	PSB-5636D	4-02-7056	NA	PDH-36-56
P001-2-120	DSZ2-120	DST2-120	SPW-359-D	DSW 2120	3FD-2120	PSD 2-120	FS 120-010	162D120	MIM338	PSB-1201D	4-02-2120	ADH200120	PDH-11-120
P002-2-120	DSZ3-120	DST3-120	SPW-409-D	DSW 3120	3FD-3120	PSD 3-120	FS 120-020	162E120	MIM438	PSB-1202D	4-02-3120	ADH300120	PDH-24-120
P006-2-120	DSZ4-120	DST4-120	SPW-509-D	DSW 4120	3FD-4120	PSD 4-120	FS 120-050	162F120	MIM538	PSB-1206D	4-02-4120	ADH400120	PDH-06-120
P012-2-120	DSZ5-120	DST5-120	SPW-609-D	DSW 5120	3FD-5120	PSD 5-120	FS 120-100	162G120	MIM638	PSB-12012D	4-02-5120	ADH500120	PDH-12-120
P020-2-120	DSZ6-120	DST6-120	SPW-619-D	DSW 6120	NA	NA	FS 120-160	162H120	MIM739	PSB-12020D	4-02-6120	ADH600120	PDH-20-120
P036-2-120	DSZ7-120	DST7-120	SPW-629-D	NA	NA	NA	FS 120-300	162J120	MIM839	PSB-12036D	4-02-7120	NA	PDH-36-120

Ensign	PowerVolt	Signal	Prem	Stancor	Microtran	Tamura	Triad	Hammond	Thordarson	Premier	MCI	Zettler	Renco	Wabash
U002-2-010	FZ10-250	LP10-250	SPW-050	LB210	PF2.5-10	3FL10-250	FP10-250	229E10	PFC200	PLP-102	4-05-1010	AHF02010	RL-2230-10-250	UI-02-10
U006-2-010	FZ10-600	LP10-600	SPW-100	LB 610	PF6-10	3FL10-600	FP10-600	229A10	PFC202	PLP-106	4-05-2010	AHF06010	RL-2230-10-600	UI-06-10
U012-2-010	FZ10-1200	LP10-1200	SPW-300	LB 1210	PF12-10	3FL10-1200	FP10-1200	229B10	PFC204	PLP-1012	4-05-3010	AHF12010	RL-2230-10-1200	UI-12-10
U024-2-010	FZ10-2400	LP10-2400	NA	LB2410	NA	NA	FP10-2400	NA	NA	PLP1024	4-05-4010	AHF24010	RL-2230-10-2400	NA
U048-2-010	FZ10-4800	LP10-4800	NA	LB4810	NA	NA	FP10-4800	NA	NA	PLP1048	4-05-5010	AHF48010	RL-2230-10-4800	NA
U002-2-012	FZ12-200	LP12-200	SPW-051	NA	PF2.5-12	3FL12-200	FP12-200	229E12	PFC210	PLP-122	NA	AHF02012	RL-2230-12-200	UI-02-126
U006-2-012	FZ12-450	LP12-450	SPW-101	LB 612	PF6-12	3FL12-475	FP12-450	229A12	PFC212	PLP-126	4-05-2012	AHF06012	RL-2230-12-450	UI-06-126
U012-2-012	FZ12-900	LP12-900	SPW-301	LB 1212	PF12-12	3FL12-950	FP12-900	229B12	PFC214	PLP-1212	4-05-3012	AHF12012	RL-2230-12-900	UI-12-126
U024-2-012	FZ12-1900	LP12-1900	NA	LB1219	NA	NA	FP12-1900	NA	NA	NA	4-05-4012	AHF24012	RL-2230-12-1900	NA
U048-2-012	FZ12-3800	LP12-3800	NA	LB1238	NA	NA	FP12-3800	NA	NA	NA	4-05-5012	AHF48012	RL-2230-12-3800	NA
U002-2-016	FZ16-150	LP16-150	SPW-052	NA	PF2.5-16	3FL20-125	FP16-150	229E16	PFC220	PLP-162	4-05-1016	AHF02016	RL-2230-16-150	UI-02-16
U006-2-016	FZ16-350	LP16-350	SPW-102	LB 616	PF6-16	3FL16-350	FP16-350	229A16	PFC222	PLP-166	4-05-2016	AHF06016	RL-2230-16-350	UI-06-16
U012-2-016	FZ16-700	LP16-700	SPW-302	LB 1216	PF12-16	3FL16-700	FP16-700	229B16	PFC224	PLP-1612	4-05-3016	AHF12016	RL-2230-16-700	UI-12-16
U024-2-016	FZ16-1500	NA	NA	NA	NA	NA	NA	NA	NA	NA	NA	NA	RL-2230-16-1500	NA
U048-2-016	FZ16-3000	NA	NA	NA	NA	NA	NA	NA	NA	NA	NA	NA	RL-2230-16-3000	NA
U002-2-020	FZ20-125	LP20-125	SPW-053	NA	PF2.5-20	3FL20-125	FP20-125	229E20	PFC230	PLP-202	4-05-1020	AHF02020	RL-2230-20-125	UI-02-20
U006-2-020	FZ20-300	LP20-300	SPW-103	LB 620	PF6-20	3FL20-300	FP20-300	229A20	PFC232	PLP-206	4-05-2020	AHF06020	RL-2230-20-300	UI-06-20
U012-2-020	FZ20-600	LP20-600	SPW-303	LB 1220	PF12-20	3FL20-600	FP20-600	229B20	PFC234	PLP-2012	4-05-3020	AHF12020	RL-2230-20-600	UI-12-20
U024-2-020	FZ20-1200	NA	NA	NA	NA	NA	NA	NA	NA	NA	NA	NA	RL-2230-20-1200	NA
U048-2-020	FZ20-2400	NA	NA	NA	NA	NA	NA	NA	NA	NA	NA	NA	RL-2230-20-2400	NA
U002-2-024	FZ24-100	LP24-100	SPW-054	NA	PF2.5-24	3FL24-100	FP24-100	229E24	PFC240	PLP-242	4-05-1024	AHF02024	RL-2230-24-100	UI-02-24
U006-2-024	FZ24-250	LP24-250	SPW-104	LB 624	PF6-24	3FL24-250	FP24-250	229A24	PFC242	PLP-246	4-05-2024	AHF06024	RL-2230-24-250	UI-06-24
U012-2-024	FZ24-500	LP24-500	SPW-304	LB 1224	PF12-24	3FL24-500	FP24-500	229B24	PFC244	PLP-2412	4-05-3024	AHF12024	RL-2230-24-500	UI-12-24
U024-2-024	FZ24-1000	NA	NA	NA	NA	NA	NA	NA	NA	NA	NA	NA	RL-2230-24-1000	NA
U048-2-024	FZ24-2000	NA	NA	NA	NA	NA	NA	NA	NA	NA	NA	NA	RL-2230-24-2000	NA
U002-2-030	FZ30-85	LP30-85	SPW-061	NA	PF2.5-30	3FL30-85	FP30-85	229E30	PFC190	NA	NA	AHF02030	RL-2230-30-85	UI-02-30
U006-2-030	FZ30-200	LP30-200	SPW-111	NA	PF6-30	3FL30-200	FP30-200	229A30	PFC192	NA	NA	AHF06030	RL-2230-30-200	UI-06-30
U012-2-030	FZ30-400	LP30-400	SPW-311	NA	PP12-30	3FL30-400	FP30-400	229B30	PFC294	NA	4-05-3030	AHF12030	RL-2230-30-400	UI-12-30
U024-2-030	FZ30-800	NA	NA	NA	NA	NA	NA	NA	NA	NA	NA	NA	RL-2230-30-800	NA
U048-2-030	FZ30-1600	NA	NA	NA	NA	NA	NA	NA	NA	NA	NA	NA	RL-2230-30-1600	NA
U002-2-034	FZ34-75	LP34-75	SPW-055	NA	PF2.5-34	3FL34-75	FP34-75	229E34	PFC250	PLP-302	4-05-1034	AHF02034	RL-2230-34-75	UI-02-34
U006-2-034	FZ34-170	LP34-170	SPW-105	LB 634	PF6-34	3FL34-170	FP34-170	229A34	PFC252	PLP-306	4-05-2034	AHF06034	RL-2230-34-170	UI-06-34
U012-2-034	FZ34-340	LP34-340	SPW-305	LB 1234	PF12-34	3FL34-340	FP34-340	229B34	PFC254	PLP-3012	4-05-3034	AHF12034	RL-2230-34-340	UI-12-34
U024-2-034	FZ34-700	NA	NA	NA	NA	NA	NA	NA	NA	NA	NA	NA	RL-2230-34-700	NA
U048-2-034	FZ34-1400	NA	NA	NA	NA	NA	NA	NA	NA	NA	NA	NA	RL-2230-34-1400	NA
U002-2-040	FZ40-60	LP40-60	SPW-056	LB240	NA	3FL40-60	FP40-60	229E40	PFC260	PLP-402	4-05-1040	AHF02040	RL-2230-40-60	UI-02-40
U006-2-040	FZ40-150	LP40-150	SPW-106	LB 640	PF6-40	3FL40-150	FP40-150	229A40	PFC262	PLP-406	4-05-2040	AHF06040	RL-2230-40-150	UI-06-40
U012-2-040	FZ40-300	LP40-300	SPW-306	LB 1240	NA	3FL40-300	FP40-300	229B40	PFC264	PLP-3412	4-05-3040	AHF12040	RL-2230-40-300	UI-12-40
U024-2-040	FZ40-600	NA	NA	NA	NA	NA	NA	NA	NA	NA	NA	NA	RL-2230-40-600	NA
U048-2-040	FZ40-1200	NA	NA	NA	NA	NA	NA	NA	NA	NA	NA	NA	RL-2230-40-1200	NA
U002-2-056	FZ56-45	LP56-45	SPW-057	LB256	PF2.5-56	3FL56-45	FP56-45	229E56	PFC270	PLP-562	4-05-1056	AHF02056	RL-2230-56-45	UI-02-56
U006-2-056	FZ56-100	LP56-100	SPW-107	LB 656	PF6-56	3FL56-100	FP56-100	229A56	PFC272	PLP-406	4-05-2056	AHF06056	RL-2230-56-100	UI-06-56
U012-2-056	FZ56-200	LP56-200	SPW-307	LB 1256	PF12-56	3FL56-200	FP56-200	229B56	PFC274	PLP-4012	4-05-3056	AHF12056	RL-2230-56-200	UI-12-56
U024-2-056	FZ56-425	NA	NA	NA	NA	NA	NA	NA	NA	NA	NA	NA	RL-2230-56-425	NA
U048-2-056	FZ56-850	NA	NA	NA	NA	NA	NA	NA	NA	NA	NA	NA	RL-2230-56-850	NA
U002-2-088	FZ88-28	LP88-28	SPW-058	LB288	PF88-28	3FL88-28	FP88-28	229E88	PFC280	PLP-562	4-05-1028	AHF02088	RL-2230-88-28	UI-02-88
U006-2-088	FZ88-65	LP88-65	SPW-108	LB 688	NA	3FL88-65	FP88-65	229A88	PFC282	PLP-566	4-05-2088	AHF06088	RL-2230-88-65	UI-06-88
U012-2-088	FZ88-130	LP88-130	SPW-308	LB 1288	NA	3FL88-130	FP88-130	229B88	PFC284	PLP-5612	4-05-3088	AHF12088	RL-2230-88-130	UI-12-88
U002-2-120	FZ120-20	LP120-20	SPW-059	LB2120	NA	3FL120-20	FP120-20	229E120	PFC290	PLP-882	4-05-1120	AHF02120	RL-2230-120-20	UI-02-120
U006-2-120	FZ120-50	LP120-50	SPW-109	LB 6120	NA	3FL120-50	FP120-50	229A120	PFC292	PLP-886	4-05-2120	AHF06120	RL-2230-120-50	UI-06-120
U012-2-120	FZ120-100	LP120-100	SPW-309	LB 12120	NA	3FL120-100	FP120-100	229B120	PFC324	PLP-8812	4-05-3120	AHF12120	RL-2230-120-100	UI-12-120
U002-2-230	FZ230-10	LP230-10	SPW-060	LB2230	NA	3FL230-10	FP230-10	229E230	PFC300	NA	4-05-1230	AHF02230	RL-2230-230-10	UI-02-230
U006-2-230	FZ230-25	LP230-25	SPW-110	LB 6230	NA	3FL230-25	FP230-25	229A230	PFC302	NA	4-05-2230	AHF06230	RL-2230-230-25	UI-06-230
U012-2-230	FZ230-50	LP230-50	SPW-310	LB6230	NA	3FL230-50	FP230-50	229B230	PFC334	NA	4-05-3230	AHF12230	RL-2230-230-50	UI-12-230

Cross References

Ensign	PowerVolt	Signal	Stancor	Triad	Hammond	Thordarson	MCI	Renco	Wabash
T002-1-510	PP-3-10	241-3-10	NA	F3-10	187A10	CFP201	4-06-3010	RL-2270-3-10	PST-24-10
T006-1-510	PP-4-10	241-4-10	NA	F4-10	187B10	CFP301	4-06-4010	RL-2270-4-10	PST-06-10
T012-1-510	PP-5-10	241-5-10	P8652	F5-10	187C10	CFP401	4-06-5010	RL-2270-5-10	PST-12-10
T030-1-510	PP-6-10	241-6-10	P8380	F6-10	187D10	CFP501	4-06-6010	RL-2270-6-10	PST-30-10
T056-1-510	PP-7-10	241-7-10	P6458	F7-10	187E10	CFP601	4-06-7010	RL-2270-7-10	PST-56-10
T100-1-510	PP-8-10	241-8-10	P6461	F8-10	187F10	CFP701	4-06-8010	RL-2270-8-10	PST-100-10
T002-1-512	PP-3-12	241-3-12	NA	F3-12	187A12	CFP203	4-06-3012	RL-2270-3-12	PST-24-126
T006-1-512	PP-4-12	241-4-12	NA	F4-12	187B12	CFP303	4-06-4012	RL-2270-4-12	PST-06-126
T012-1-512	PP-5-12	241-5-12	P8384	F5-12	187C12	CFP403	4-06-5012	RL-2270-5-12	PST-12-126
T030-1-512	PP-6-12	241-6-12	P8358	F6-12	187D12	CFP503	4-06-6012	RL-2270-6-12	PST-30-126
T056-1-512	PP-7-12	241-7-12	P8641	F7-12	187E12	CFP603	4-06-70-12	RL-2270-7-12	PST-56-126
T100-1-512	PP-8-12	241-8-12	P8643	F8-12	187F12	CFP703	4-06-8012	RL-2270-8-12	PST-100-126
T002-1-516	PP-3-16	241-3-16	NA	F3-16	187A16	CFP205	4-06-3016	RL-2270-3-16	PST-24-16
T006-1-516	PP-4-16	241-4-16	NA	F4-16	187B16	CFP305	4-06-4016	RL-2270-4-16	PST-06-16
T012-1-516	PP-5-16	241-5-16	NA	F5-16	187C16	CFP405	4-06-5016	RL-2270-5-16	PST-12-16
T030-1-516	PP-6-16	241-6-16	NA	F6-16	187D16	CFP505	4-06-6016	RL-2270-6-16	PST-30-16
T056-1-516	PP-7-16	241-7-16	NA	F7-16	187E16	CFP605	4-06-7016	RL-2270-7-16	PST-56-16
T100-1-516	PP-8-16	241-8-16	NA	F8-16	187F16	CFP705	4-06-8016	RL-2270-8-16	PST-100-16
T002-1-520	PP-3-20	241-3-20	NA	F3-20	187A20	CFP207	4-06-3020	RL-2270-3-20	PST-24-20
T006-1-520	PP-4-20	241-4-20	P8505	F4-20	187B20	CFP307	4-06-4020	RL-2270-4-20	PST-06-20
T012-1-520	PP-5-20	241-5-20	P8507	F5-20	187C20	CFP407	4-06-5020	RL-2270-5-20	PST-12-20
T030-1-520	PP-6-20	241-6-20	P8508	F6-20	187D20	CFP507	4-06-6020	RL-2270-6-20	PST-30-20
T056-1-520	PP-7-20	241-7-20	P8559	F7-20	187E20	CFP607	4-06-7020	RL-2270-7-20	PST-56-20
T100-1-520	PP-8-20	241-8-20	P8560	F8-20	187F20	CFP707	4-06-8020	RL-2270-8-20	PST-100-20
T002-1-524	PP-3-24	241-3-24	P8394	F3-24	187A24	CFP209	4-06-3024	RL-2270-3-24	PST-24-24
T006-1-524	PP-4-24	241-4-24	P8395	F4-24	187B24	CFP309	4-06-4024	RL-2270-4-24	PST-06-24
T012-1-524	PP-5-24	241-5-24	P8396	F5-24	187C24	CFP409	4-06-5024	RL-2270-5-24	PST-12-24
T030-1-524	PP-6-24	241-6-24	P8575	F6-24	187D24	CFP509	4-06-6024	RL-2270-6-24	PST-30-24
T056-1-524	PP-7-24	241-7-24	NA	F7-24	187E24	CFP609	4-06-7024	RL-2270-7-24	PST-56-24
T100-1-524	PP-8-24	241-8-24	NA	F8-24	187F24	CFP709	4-06-8024	RL-2270-8-24	PST-100-24
T002-1-528	PP-3-28	241-3-28	P8600	F3-28	187A28	CFP211	4-06-3028	NA	PST-24-28
T006-1-528	PP-4-28	241-4-28	P8601	F4-28	187B28	CFP311	4-06-4028	NA	PST-06-28
T012-1-528	PP-5-28	241-5-28	P8602	F5-28	187C28	CFP411	4-06-5028	NA	PST-12-28
T030-1-528	PP-6-28	241-6-28	P8603	F6-28	187D28	CFP511	4-06-6028	NA	PST-30-28
T056-1-528	PP-7-28	241-7-28	P8668	F7-28	187E28	CFP611	4-06-7028	NA	PST-56-28
T100-1-528	PP-8-28	241-8-28	NA	F8-28	187F28	CFP711	4-06-8028	NA	PST-100-28
T002-1-536	PP-3-36	241-3-36	P8615	F3-36	187A36	CFP213	4-06-3036	NA	PST-24-36
T006-1-536	PP-4-36	241-4-36	P8611	F4-36	187B36	CFP313	4-06-4036	NA	PST-06-36
T012-1-536	PP-5-36	241-5-36	P8612	F5-36	187C36	CFP413	4-06-5036	NA	PST-12-36
T030-1-536	PP-6-36	241-6-36	P8613	F6-36	187D36	CFP513	4-06-6036	NA	PST-30-36
T056-1-536	PP-7-36	241-7-36	P8671	F7-36	187E36	CFP613	4-06-7036	NA	PST-56-36
T100-1-536	PP-8-36	241-8-36	P8672	F8-36	187F36	CFP713	4-06-8036	NA	PST-100-36
T002-1-548	PP-3-48	241-3-48	NA	F3-48	187A48	CFP215	4-06-3048	NA	PST-24-48
T006-1-548	PP-4-48	241-4-48	NA	F4-48	187B48	CFP315	4-06-4048	NA	PST-06-48
T012-1-548	PP-5-48	241-5-48	NA	F5-48	187C48	CFP415	4-06-5048	NA	PST-12-48
T030-1-548	PP-6-48	241-6-48	NA	F6-48	187D48	CFP515	4-06-6048	NA	PST-30-48
T056-1-548	PP-7-48	241-7-48	P8605	F7-48	187E48	CFP615	4-06-7048	NA	PST-56-48
T100-1-548	PP-8-48	241-8-48	NA	F8-48	187F48	CFP715	4-06-8048	NA	PST-100-48
T002-1-556	PP-3-56	241-3-56	NA	F3-56	187A56	CFP217	4-06-3056	NA	PST-24-56
T006-1-556	PP-4-56	241-4-56	NA	F4-56	187B56	CFP317	4-06-4056	NA	PST-06-56
T012-1-556	PP-5-56	241-5-56	NA	F5-56	187C56	CFP417	4-06-5056	NA	PST-12-56
T030-1-556	PP-6-56	241-6-56	NA	F6-56	187D56	CFP517	4-06-6056	NA	PST-30-56
T056-1-556	PP-7-56	241-7-56	NA	F7-56	187E56	CFP617	4-06-7056	NA	PST-56-56
T100-1-556	PP-8-56	241-8-56	NA	F8-56	187F56	CFP717	4-06-8056	NA	PST-100-56
T002-1-620	PP-3-120	241-3-120	NA	F3-120	187A120	CFP219	4-06-3120	NA	PST-24-120
T006-1-620	PP-4-120	241-4-120	NA	F4-120	187B120	CFP319	4-06-4120	NA	PST-06-120
T012-1-620	PP-5-120	241-5-120	NA	F5-120	187C120	CFP419	4-06-5120	NA	PST-12-120
T030-1-620	PP-6-120	241-6-120	NA	F6-120	187D120	CFP519	4-06-6120	NA	PST-30-120
T056-1-620	PP-7-120	241-7-120	NA	F7-120	187E120	CFP619	4-06-7120	NA	PST-56-120
T100-1-620	PP-8-120	241-8-120	NA	F8-120	187F120	CFP719	4-06-8120	NA	PST-100-120

Ensign	PowerVolt	Signal	Stancor	Triad	Hammond	Thordarson	MCI	Renco	Wabash
T006-2-510	DPP-4-10	DP241-4-10	NA	FD4-10	186B10	CFP300	4-07-4010	RLD-2270-4-10	PDT-06-10
T012-2-510	DPP-5-10	DP241-5-10	P8652	FD5-10	186C10	CFP400	4-07-5010	RLD-2270-5-10	PDT-12-10
T030-2-510	DPP-6-10	DP241-6-10	P8380	FD6-10	186D10	CFP500	4-07-6010	RLD-2270-6-10	PDT-30-10
T056-2-510	DPP-7-10	DP241-7-10	P6458	FD7-10	186E10	CFP600	4-07-7010	RLD-2270-7-10	PDT-56-10
T100-2-510	DPP-8-10	DP241-8-10	P6461	FD8-10	186F10	CFP700	4-07-8010	RLD-2270-8-10	PDT-100-10
T006-2-512	DPP-4-12	DP241-4-12	NA	FD4-12	186B12	CFP302	4-07-4012	RLD-2270-4-12	PDT-06-126
T012-2-512	DPP-5-12	DP241-5-12	P8384	FD5-12	186C12	CFP402	4-07-5012	RLD-2270-5-12	PDT-12-126
T030-2-512	DPP-6-12	DP241-6-12	P8358	FD6-12	186D12	CFP502	4-07-6012	RLD-2270-6-12	PDT-30-126
T056-2-512	DPP-7-12	DP241-7-12	P8641	FD7-12	186E12	CFP602	4-07-7012	RLD-2270-7-12	PDT-56-126
T100-2-512	DPP-8-12	DP241-8-12	P8643	FD8-12	186F12	CFP702	4-07-8012	RLD-2270-8-12	PDT-100-126
T006-2-516	DPP-4-16	DP241-4-16	NA	FD4-16	186B16	CFP304	4-07-4016	RLD-4-16	PDT-06-16
T012-2-516	DPP-5-16	DP241-5-16	NA	FD5-16	186C16	CFP404	4-07-5016	RLD-5-16	PDT-12-16
T030-2-516	DPP-6-16	DP241-6-16	NA	FD6-16	186D16	CFP504	4-07-6016	RLD-6-16	PDT-30-16
T056-2-516	DPP-7-16	DP241-7-16	NA	FD7-16	186E16	CFP604	4-07-7016	RLD-7-16	PDT-56-16
T100-2-516	DPP-8-16	DP241-8-16	NA	FD8-16	186F16	CFP704	4-07-8016	RLD-8-16	PDT-100-16
T006-2-520	DPP-4-20	DP241-4-20	P8505	FD4-20	186B20	CFP306	4-07-4020	RLD-2270-4-20	PDT-06-20
T012-2-520	DPP-5-20	DP241-5-20	P8507	FD5-20	186C20	CFP406	4-07-5020	RLD-2270-5-20	PDT-12-20
T030-2-520	DPP-6-20	DP241-6-20	P8604	FD6-20	186D20	CFP506	4-07-6020	RLD-2270-6-20	PDT-30-20
T056-2-520	DPP-7-20	DP241-7-20	P8559	FD7-20	186E20	CFP606	4-07-7020	RLD-2270-7-20	PDT-56-20
T100-2-520	DPP-8-20	DP241-8-20	P8560	FD8-20	186F20	CFP706	4-07-8020	RLD-2270-8-20	PDT-100-20
T006-2-524	DPP-4-24	DP241-4-24	P8721	FD4-24	186B24	CFP308	4-07-4024	RLD-2270-4-24	PDT-06-24
T012-2-524	DPP-5-24	DP241-5-24	P8722	FD5-24	186C24	CFP408	4-07-5024	RLD-2270-5-24	PDT-12-24
T030-2-524	DPP-6-24	DP241-6-24	P8575	FD6-24	186D24	CFP508	4-07-6024	RLD-2270-6-24	PDT-30-24
T056-2-524	DPP-7-24	DP241-7-24	NA	FD7-24	186E24	CFP608	4-07-7024	RLD-2270-7-24	PDT-56-24
T100-2-524	DPP-8-24	DP241-8-24	NA	FD8-24	186F24	CFP708	4-07-8024	RLD-2270-8-24	PDT-100-24
T006-2-528	DPP-4-28	DP241-4-28	P8601	FD4-28	186B28	CFP310	4-07-4028	NA	PDT-06-28
T012-2-528	DPP-5-28	DP241-5-28	P8602	FD5-28	186C28	CFP410	4-07-5028	NA	PDT-12-28
T030-2-528	DPP-6-28	DP241-6-28	P8667	FD6-28	186D28	CFP510	4-07-6028	NA	PDT-30-28
T056-2-528	DPP-7-28	DP241-7-28	P8668	FD7-28	186E28	CFP610	4-07-7028	NA	PDT-56-28
T100-2-528	DPP-8-28	DP241-8-28	NA	FD8-28	186F28	CFP710	4-07-8028	NA	PDT-100-28
T006-2-536	DPP-4-36	DP241-4-36	P8611	FD4-36	186B36	CFP312	4-07-4036	NA	PDT-06-36
T012-2-536	DPP-5-36	DP241-5-36	P8612	FD5-36	186C36	CFP412	4-07-5036	NA	PDT-12-36
T030-2-536	DPP-6-36	DP241-6-36	P8613	FD6-36	186D36	CFP512	4-07-6036	NA	PDT-30-36
T056-2-536	DPP-7-36	DP241-7-36	P8671	FD7-36	186E36	CFP612	4-07-7036	NA	PDT-56-36
T100-2-536	DPP-8-36	DP241-8-36	P8672	FD8-36	186F36	CFP712	4-07-8036	NA	PDT-100-36
T006-2-548	DPP-4-48	DP241-4-48	NA	FD4-48	186B48	CFP314	4-07-4048	NA	PDT-06-48
T012-2-548	DPP-5-48	DP241-5-48	NA	FD5-48	186C48	CFP414	4-07-5048	NA	PDT-12-48
T030-2-548	DPP-6-48	DP241-6-48	NA	FD6-48	186D48	CFP514	4-07-6048	NA	PDT-30-48
T056-2-548	DPP-7-48	DP241-7-48	P8605	FD7-48	186E48	CFP614	4-07-7048	NA	PDT-56-48
T100-2-548	DPP-8-48	DP241-8-48	NA	FD8-48	186F48	CFP714	4-07-8048	NA	PDT-100-48
T006-2-556	DPP-4-56	DP241-4-56	NA	FD4-56	186B56	CFP316	4-07-4056	NA	PDT-06-56
T012-2-556	DPP-5-56	DP241-5-56	NA	FD5-56	186C56	CFP416	4-07-5056	NA	PDT-12-56
T030-2-556	DPP-6-56	DP241-6-56	NA	FD6-56	186D56	CFP516	4-07-6056	NA	PDT-30-56
T056-2-556	DPP-7-56	DP241-7-56	NA	FD7-56	186E56	CFP616	4-07-7056	NA	PDT-56-56
T100-2-556	DPP-8-56	DP241-8-56	NA	FD8-56	186F56	CFP716	4-07-8056	NA	PDT-100-56
T006-2-620	DPP-4-120	DP241-4-120	NA	FD4-120	186B120	CFP318	4-07-4120	NA	PDT-06-120
T012-2-620	DPP-5-120	DP241-5-120	NA	FD5-120	186C120	CFP418	4-07-5120	NA	PDT-12-120
T030-2-620	DPP-6-120	DP241-6-120	NA	FD6-120	186D120	CFP518	4-07-6120	NA	PDT-30-120
T056-2-620	DPP-7-120	DP241-7-120	NA	FD7-120	186E120	CFP618	4-07-7120	NA	PDT-56-120
T100-2-620	DPP-8-120	DP241-8-120	NA	FD8-120	186F120	CFP718	4-07-8120	NA	PDT-100-120

Cross References

Admiral Class

Printed Circuit

Ensign	Powervolt	Prem	Tamura	Signal	Premier	Thordarson	Triad	Hammond	Stancor	MCI	Wabash
IP002-2-010	14P-2.5R-10	SPW-1000	PL2.5-10-130B	14A-2.5R-10	PVD-102	TIPC-10-2.5	VPP-10-250	183E10	NA	4-44-3010	VDE-025P-10
IP002-2-012	14P-2.5R-12	SPW-1001	PL2.5-12-130B	14A-2.5R-12	PVD-122	TIPC-12-2.5	VPP-12-200	183E12	NA	4-44-3012	VDE-025P-12
IP002-2-016	14P-2.5R-16	SPW-1002	PL2.5-16-130B	14A-2.5R-16	PVD-162	TIPC-16-2.5	VPP-16-150	183E16	NA	4-44-3016	VDE-025P-16
IP002-2-020	14P-2.5R-20	SPW-1003	PL2.5-20-130B	14A-2.5R-20	PVD-202	TIPC-20-2.5	VPP-20-120	183E20	NA	4-44-3020	VDE-025P-20
IP002-2-024	14P-2.5R-24	SPW-1004	PL2.5-24-130B	14A-2.5R-24	PVD-242	TIPC-24-2.5	VPP-24-100	183E24	NA	4-44-3024	VDE-025P-24
IP002-2-028	14P-2.5R-28	SPW-1005	PL2.5-28-130B	14A-2.5R-28	PVD-282	TIPC-28-2.5	VPP-28-090	183E28	NA	4-44-3028	VDE-025P-28
IP002-2-036	14P-2.5R-36	SPW-1006	PL2.5-36-130B	14A-2.5R-36	PVD-362	TIPC-36-2.5	VPP-36-070	183E36	NA	4-44-3036	VDE-025P-36
IP005-2-010	14P-5.0R-10	SPW-1100	PL5.0-10-130B	14A-5.0R-10	PVD-105	TIPC-10-5	VPP-10-500	183F10	TG05-10	4-44-4010	VDE-05P-10
IP005-2-012	14P-5.0R-12	SPW-1101	PL5.0-12-130B	14A-5.0R-12	PVD-125	TIPC-12-5	VPP-12-400	183F12	TG05-12	4-44-4012	VDE-05P-12
IP005-2-016	14P-5.0R-16	SPW-1102	PL5.0-16-130B	14A-5.0R-16	PVD-165	TIPC-16-5	VPP-16-300	183F16	TG05-16	4-44-4016	VDE-05P-16
IP005-2-020	14P-5.0R-20	SPW-1103	PL5.0-20-130B	14A-5.0R-20	PVD-205	TIPC-20-5	VPP-20-250	183F20	TG05-20	4-44-4020	VDE-05P-20
IP005-2-024	14P-5.0R-24	SPW-1104	PL5.0-24-130B	14A-5.0R-24	PVD-245	TIPC-24-5	VPP-24-210	183F24	TG05-24	4-44-4024	VDE-05P-24
IP005-2-028	14P-5.0R-28	SPW-1105	PL5.0-28-130B	14A-5.0R-28	PVD-285	TIPC-28-5	VPP-28-180	183F28	TG05-28	4-44-4028	VDE-05P-28
IP005-2-036	14P-5.0R-36	SPW-1106	PL5.0-36-130B	14A-5.0R-36	PVD-365	TIPC-36-5	VPP-36-140	183F36	TG05-36	4-44-4036	VDE-05P-36
IP010-2-010	14P-10R-10	SPW-1200	PL10-10-130B	14A-10R-10	PVD-1010	TIPC-10-10	VPP-10-1000	183G10	TG10-10	4-44-5010	VDE-10P-10
IP010-2-012	14P-10R-12	SPW-1201	PL10-12-130B	14A-10R-12	PVD-1210	TIPC-12-10	VPP-12-800	183G12	TG10-12	4-44-5012	VDE-10P-12
IP010-2-016	14P-10R-16	SPW-1202	PL10-16-130B	14A-10R-16	PVD-1610	TIPC-16-10	VPP-16-620	183G16	TG10-16	4-44-5016	VDE-10P-16
IP010-2-020	14P-10R-20	SPW-1203	PL10-20-130B	14A-10R-20	PVD-2010	TIPC-20-10	VPP-20-500	183G20	TG10-20	4-44-5020	VDE-10P-20
IP010-2-024	14P-10R-24	SPW-1204	PL10-24-130B	14A-10R-24	PVD-2410	TIPC-24-10	VPP-24-420	183G24	TG10-24	4-44-5024	VDE-10P-24
IP010-2-028	14P-10R-28	SPW-1205	PL10-28-130B	14A-10R-28	PVD-2810	TIPC-28-10	VPP-28-360	183G28	TG10-28	4-44-5028	VDE-10P-28
IP010-2-036	14P-10R-36	SPW-1206	PL10-36-130B	14A-10R-36	PVD-3610	TIPC-36-10	VPP-36-280	183G36	TG10-36	4-44-5036	VDE-10P-36
IP020-2-010	14P-20-10	SPW-1300	PL20-10-130B	14A-20-10	PVD-1020	TIPC-20-10	VPP-10-2000	183H10	TG20-10	4-44-6010	VDE-20P-10
IP020-2-012	14P-20-12	SPW-1301	PL20-12-130B	14A-20-12	PVD-1220	TIPC-12-20	VPP12-1600	183H12	TG20-12	4-44-6012	VDE-20P-12
IP020-2-016	14P-20-16	SPW-1302	PL20-16-130B	14A-20-16	PVD-1620	TIPC-16-20	VPP16-1250	183H16	TG20-16	4-44-6016	VDE-20P-16
IP020-2-020	14P-20-20	SPW-1303	PL20-20-130B	14A-20-20	PVD-2020	TIPC-20-20	VPP20-1000	183H20	TG20-20	4-44-6020	VDE-20P-20
IP020-2-024	14P-20-24	SPW-1304	PL20-24-130B	14A-20-24	PVD-2420	TIPC-24-20	VPP24-830	183H24	TG20-24	4-44-6024	VDE-20P-24
IP020-2-028	14P-20-28	SPW-1305	PL20-28-130B	14A-20-28	PVD-2820	TIPC-28-20	VPP28-720	183H28	TG20-28	4-44-6028	VDE-20P-28
IP020-2-036	14P-20-36	SPW-1306	PL20-36-130B	14A-20-36	PVD-3620	TIPC-36-20	VPP36-560	183H36	TG20-36	4-44-6036	VDE-20P-36
IP030-2-010	14P-30-10	NA	PL30-10-130B	14A-30-10	NA	NA	VPP10-3000	183J10	TG30-10	4-44-7010	VDE-30P-10
IP030-2-012	14P-30-12	NA	PL30-12-130B	14A-30-12	NA	NA	VPP12-2400	183J12	TG30-12	4-44-7012	VDE-30P126
IP030-2-016	14P-30-16	NA	PL30-16-130B	14A-30-16	NA	NA	VPP16-1900	183J16	TG30-16	4-44-7016	VDE-30P-16
IP030-2-020	14P-30-20	NA	PL30-20-130B	14A-30-20	NA	NA	VPP20-1500	183J20	TG30-20	4-44-7020	VDE-30P-20
IP030-2-024	14P30-24	NA	PL30-24-130B	14A-30-24	NA	NA	VPP24-1250	183J24	TG30-24	4-44-7024	VDE-30P-24
IP030-2-028	14P-30-28	NA	PL30-28-130B	14A-30-28	NA	NA	VPP28-1060	183J28	TG30-28	4-44-7028	VDE-30P-28
IP030-2-036	14P-30-36	NA	PL30-36-130B	14A-30-36	NA	NA	VPP36-820	183J36	TG30-36	4-44-7036	VDE-30P-36
IP056-2-010	14P-56-10	NA	PL56-10-130B	14A-56-10	NA	NA	VPP10-5600	183K10	TG56-10	4-44-8010	VDE-56P-10
IP056-2-012	14P-56-12	NA	PL56-12-130B	14A-56-12	NA	NA	VPP12-4400	183K12	TG56-12	4-44-8012	VDE-56P-126
IP056-2-016	14P-56-16	NA	PL56-16-130B	14A-56-16	NA	NA	VPP16-3500	183K16	TG56-16	4-44-8016	VDE-56P-16
IP056-2-020	14P-56-20	NA	PL56-20-130B	14A-56-20	NA	NA	VPP20-2800	183K20	TG56-20	4-44-8020	VDE-56P-20
IP056-2-024	14P-56-24	NA	PL56-24-130B	14A-56-24	NA	NA	VPP24-2330	183K24	TG56-24	4-44-8024	VDE-56P-24
IP056-2-028	14P-56-28	NA	PL56-28-130B	14A-56-28	NA	NA	VPP28-2000	183K28	TG56-28	4-44-8028	VDE-56P-28
IP056-2-036	14P-56-36	NA	PL56-36-130B	14A-56-36	NA	NA	VPP36-1560	183K36	TG56-36	4-44-8036	VDE-56P-36

Cross References

Admiral Class

Quick-Connect Terminals

Ensign	Powervolt	Signal	Triad	Hammond	Thordarson	MCI	Renco	Wabash
IT025-2-010	P41-25-10	A41-25-10	VPS10-2500	185C10	TIVL-10-25	4-49-4010	RL-2260-25-10	VDE-25T-10
IT043-2-010	P41-43-10	A41-43-10	VPS10-4300	185D10	TIVL-10-43	4-49-5010	RL-2260-43-10	VDE-43T-10
IT080-2-010	P41-80-10	A41-80-10	VPS10-8000	185E10	TIVL-10-80	4-49-6010	RL-2260-80-10	VDE-80T-10
IT130-2-010	P41-130-10	A41-130-10	VPS10-13000	185F10	TIVL-10-130	4-49-7010	RL-2260-130-10	VDE-130T-10
IT175-2-010	P41-175-10	A41-175-10	VPS10-17500	185G10	TIVL-10-175	4-49-8010	RL-2260-175-10	VDE-175T-10
IT025-2-012	P41-25-12	A41-25-12	VPS12-2000	185C12	TIVL-12-25	4-49-4012	RL-2260-25-12	VDE-25T-126
IT043-2-012	P41-43-12	A41-43-12	VPS12-3400	185D12	TIVL-12-43	4-49-5012	RL-2260-43-12	VDE-43T-126
IT080-2-012	P41-80-12	A41-80-12	VPS12-6300	185E12	TIVL-12-80	4-49-6012	RL-2260-80-12	VDE-80T-126
IT130-2-012	P41-130-12	A41-130-12	VPS12-10300	185F12	TIVL-12-130	4-49-7012	RL-2260-130-12	VDE-130T-126
IT175-2-012	P41-175-12	A41-175-12	VPS12-14000	185G12	TIVL-12-175	4-49-8012	RL-2260-175-12	VDE-175T-126
IT025-2-016	P41-25-16	A41-25-16	VPS16-1600	185C16	TIVL-16-25	4-49-4016	RL-2260-25-16	VDE-25T-16
IT043-2-016	P41-43-16	A41-43-16	VPS16-2700	185D16	TIVL-16-43	4-49-5016	RL-2260-43-16	VDE-43T-16
IT080-2-016	P41-80-16	A41-80-16	VPS16-5000	185E16	TIVL-16-80	4-49-6016	RL-2260-80-16	VDE-80T-16
IT130-2-016	P41-130-16	A41-130-16	VPS16-8100	185F16	TIVL-16-130	4-49-7016	RL-2260-130-16	VDE-130T-16
IT175-2-016	P41-175-16	A41-175-16	VPS16-11000	185G16	TIVL-16-175	4-49-8016	RL-2260-175-16	VDE-175T-16
IT025-2-020	P41-25-20	A41-25-20	VPS20-1250	185C20	TIVL-20-25	4-49-4020	RL-2260-25-20	VDE-25T-20
IT043-2-020	P41-43-20	A41-43-20	VPS20-2200	185D20	TIVL-20-43	4-49-5020	RL-2260-43-20	VDE-43T-20
IT080-2-020	P41-80-20	A41-80-20	VPS20-4000	185E20	TIVL-20-80	4-49-6020	RL-2260-80-20	VDE-80T-20
IT130-2-020	P41-130-20	A41-130-20	VPS20-6500	185F20	TIVL-20-130	4-49-7020	RL-2260-130-20	VDE-130T-20
IT175-2-020	P41-175-20	A41-175-20	VPS20-8800	185G20	TIVL-20-175	4-49-8020	RL-2260-175-20	VDE-175T-20
IT025-2-024	P41-25-24	A41-25-24	VPS24-1000	185C24	TIVL-24-25	4-49-4024	RL-2260-25-24	VDE-25T-24
IT043-2-024	P41-43-24	A41-43-24	VPS24-1800	185D24	TIVL-24-43	4-49-5024	RL-2260-43-24	VDE-43T-24
IT080-2-024	P41-80-24	A41-80-24	VPS24-3300	185E24	TIVL-24-80	4-49-6024	RL-2260-80-24	VDE-80T-24
IT130-2-024	P41-130-24	A41-130-24	VPS24-5400	185F24	TIVL-24-130	4-49-7024	RL-2260-130-24	VDE-130T-24
IT175-2-024	P41-175-24	A41-175-24	VPS24-7300	185G24	TIVL-24-175	4-49-8024	RL-2260-175-24	VDE-175T-24
IT025-2-028	P41-25-28	A41-25-28	VPS28-900	185C28	TIVL-28-25	4-49-4028	RL-2260-25-28	VDE-25T-28
IT043-2-028	P41-43-28	A41-43-28	VPS28-1500	185D28	TIVL-28-43	4-49-5028	RL-2260-43-28	VDE-43T-28
IT080-2-028	P41-80-28	A41-80-28	VPS28-2800	185E28	TIVL-28-80	4-49-6028	RL-2260-80-28	VDE-80T-28
IT130-2-028	P41-130-28	A41-80-28	VPS28-4600	185F28	TIVL28-130	4-49-7028	RL-2260-130-28	VDE-130T-28
IT175-2-028	P41-175-28	A41-175-28	VPS28-6250	185G28	TIVL-28-175	4-49-8028	RL-2260-175-28	VDE-175T-28
IT025-2-036	P41-25-36	A41-25-36	VPS36-700	185C36	TIVL-36-25	4-49-4036	RL-2260-25-36	VDE-25T-36
IT043-2-036	P41-43-36	A41-43-36	VPS36-1200	185D36	TIVL-36-43	4-49-5036	RL-2260-43-36	VDE-43T-36
IT080-2-036	P41-80-36	A41-80-36	VPS36-2200	185E36	TIVL-36-80	4-49-6036	RL-2260-80-36	VDE-80T-36
IT130-2-036	P41-130-36	A41-130-36	VPS36-3600	185F36	TIVL-36-130	4-49-7036	RL-2260-130-36	VDE-130T-36
IT175-2-036	P41-175-36	A41-175-36	VPS36-4800	185G36	TIVL-36-175	4-49-8036	RL-2260-175-36	VDE-175T-36
IT025-2-230	P41-25-230	A41-25-230	VPS230-110	185C230	TIVL-230-25	4-49-4230	RL-2260-25-230	VDE-25T-230
IT043-2-230	P41-43-230	A41-43-230	VPS230-190	185D230	TIVL-230-43	4-49-5230	RL-2260-43-230	VDE-43T-230
IT080-2-230	P41-80-230	A41-80-230	VPS230-350	185E230	TIVL-230-80	4-49-6230	RL-2260-80-230	VDE-80T-230
IT130-2-230	P41-130-230	A41-130-230	VPS230-570	185F230	TIVL-230-130	4-49-7230	RL-2260-130-230	VDE-130T-230
IT175-2-230	P41-175-230	A41-175-230	VPS230-760	185G230	TIVL-230-175	4-49-8230	RL-2260-175-230	VDE-175T-230



Medical & Dental



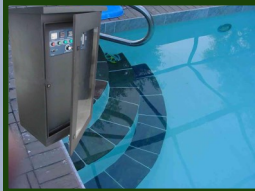
HVAC & Refrigeration



Packaging Equipment



Conveyor Systems



Water Treatment

Ensign Proudly Serves the Following Industries:

- Medical & Dental
- HVAC, Air Purification & Refrigeration
- Process & Packaging Equipment
- Process Control & Sensor Equipment
- Power Generators & Monitoring Systems
- Residential & Commercial Signs
- Lighting & Fiber optics
- Swimming Pool, Spas & Water Treatment
- Automation & Conveyor Systems
- Welding Generators & Robots
- Mailing & Letter Handling Machinery
- Commercial Cooking, Food Warming & Ice Making Equipment
- Household Appliances
- Environmental Controls
- Security Cameras & Systems
- Commercial, Industrial & Agricultural Irrigation Systems
- Aviation & Aerospace Equipment
- Studio & Public Address Sound Systems
- Metering, Instrumentation & Laboratory Equipment
- And many others....

Excellence in quality shall be achieved through

- A. Compliance to Requirements
- B. Constant effort for Continuous Improvement
- C. Personal Pride in our Work



THE FLAGSHIP OF CUSTOM MAGNETICS
SINCE 1939

Sales Office:

300 W Factory Road
 Addison, IL 60101-5004
 Toll Free: (888) 797-8658
 Phone: (630) 628-9999
 Fax: (630) 628-9922
 Customer Service: (563) 872-3900
 Engineering Support: (563) 872-3900
 www.ensigncorp.com

Plant Location:

201 Ensign Road
 Bellevue, Iowa 52031
 Phone: (563) 872-3900
 Fax: (563) 872-4575



DQS Inc.
 ENSIGN CORP.
 ISO 9001:2015
 10005714

PRSR ST
 US POSTAGE PAID
 ADDISON IL
 PERMIT 300

RETURN SERVICE REQUESTED